

OLYMPUS[®]

Your Vision, Our Future

Stereomicroscope

SZX7/SZ61/SZ51

For Industrial Use



Comfort for your eyes — precision for your work

The human eye is a wonderful instrument, catching images of every moment of our lives.

At the same time it is extremely sensitive, and can become exhausted if it is not treated with care.

OLYMPUS has therefore made every possible effort to develop new optical systems that allow the human eye to feel comfortable and relaxed while working with stereo microscopes.

This not only protects the eyes but also leads to much more precise and consistent results in daily work.

All three models — the SZX7 with its advanced Galilean optical system, the full-featured SZ61 and the versatile SZ51 — provide 3D images with true color, high resolution and no distortion.

Welcome to the comfort zone.



SZ51

SZ61

CONTENTS

| | |
|---|------------|
| Introduction — "The Comfort Zone" | 1 - 12 |
| • SZX7 Optical Performance | |
| • SZ61/SZ51 Optical Performance | |
| • Ergonomic Design | |
| • Illumination System | |
| • Digital Imaging & Recording System | |
| • Mounting System & Accessories | |
| Specifications | 13 - 14 |
| SZX7 System diagram | 15 - 16 |
| SZ61/SZ51 System diagram | 17 - 18 |
| Dimensions | Back Cover |



SZX7



SZ61TR

SZX7: Galilean optical system using parallel light paths for outstanding performance and easy expandability.

*SZ61: Top-of-the-line optical performance, with zoom ratio of 6.7:1.
Model variations: SZ61TR (with trinocular tube),
SZ61-60 (with 60 degree observation tube inclination).*

SZ51: Versatile, cost-efficient, ideal in all line inspection applications.

Optical excellence and system expandability — SZX7 with Galilean optics

“Providing the optimal image for any specimen” by the adoption of the Galilean optical system and the DF (Distortion Free) objective series with high N.A. (Numerical Aperture).

7:1 wide zoom ratio of the class

With a magnification range of 8x-56x (using 1x objective/10x eyepiece), the SZX7 offers a maximum zoom ratio of 7:1. This useful zoom ratio allows most given specimen to be observed at the appropriate magnifications.

Excellent resolving power in this class

Superior quality objectives deliver accurate, high resolution observation images which show every specimen in minute detail.

A range of objectives to suit every specimen and every application

- **Superior image flatness:**

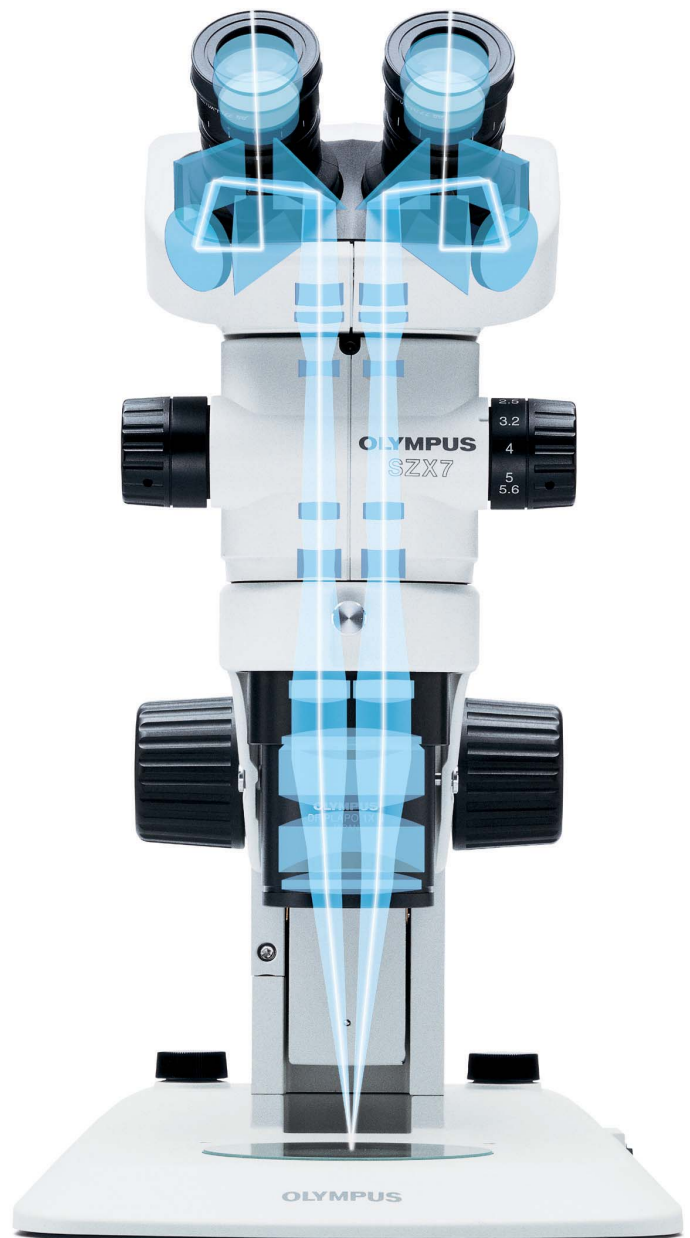
The DFPlan objective series accurately reproduces the original shape of the specimen.

- **A long working distance (W.D.) is secured in this class:**

The objectives range from the SZX-ACH1x (90mm W.D.) to the DFPL0.5x (198mm W.D.). As a result, even specimen surfaces which are difficult to access can be observed easily.

- **Ideal for high magnification:**

Superior quality image is ensured up to 336x, by combining a 2x objective with 30x eyepieces. Also available is an excellent apochromatic objective DFPLAPO1.25x, which reaches the higher zoom range of 1x through 7x.



Galilean optics feature two (right/left) independent and parallel zoom optical paths to produce the focal point with one objective. The system enables high optical performance as well as functional modularity.



“ComfortView” eyepieces for greater comfort and faster work

Quick, comfortable observation and documentation are ensured by this completely new eyepiece design featuring Pupil Aberration Control and Appropriate Positioning in the eye point.

Accurate color reproduction

The careful selection of lens surface coating and glass materials in the entire optical system make it possible to observe and document specimens in their original, authentic colors.

Sharp, clear, high-contrast images

The low, suppressed field curvature ensures accurate reproduction of original specimen shapes.

A wide variety of observation tubes and intermediate tubes enable operators to obtain precisely the right image

Various different types of tubes are available, and can be freely combined to create the ideal system for any specified purpose.

SZX7 tubes:

- Aperture diaphragm unit / SZX-AS
- Macro tube / SZX-DA
- Beam splitter / SZX2-LBS
- Photo adapter / SZX-PHA
- Eyepoint adjuster / SZX-EPA
- Side by side discussion tube / SZX-SDO2
- Filter adapter / SZX-FAD
- Coaxial reflected light illuminator / SZX2-ILLC10



Aperture diaphragm unit / SZX-AS



① 45 degree binocular head / SZX-BI45 ② Tilting trinocular head / SZX2-TTR
③ 30 degree trinocular head / SZX-TR30

Precise, functional and compact — SZ61/SZ51

"A practical range of functions for observation and documentation in a compact stereo microscope body"

The SZ61/SZ51, incorporating the Greenough optical system.

6.7:1 wide zoom ratio

The SZ61's wide magnification range extends from 6.7 through 45x (using 10x eyepiece), with the zoom ratio of 6.7:1. This derives from the newly developed optical system and allows quick, comfortable observations at the most appropriate magnification. The SZ51 provides a magnification range from 8x through 40x (using 10x eyepiece), with the zoom ratio of 5:1.

Outstanding depth of focus and flatness

The 10-degree angle convergence of the image forming path in the Greenough optical system secures excellent image flatness with deep depth of focus.

"ComfortView" eyepieces for greater comfort and faster work

Quick, comfortable observation and documentation are ensured by this completely new eyepiece design featuring Pupil Aberration Control and Appropriate Positioning in the eye point.

Accurate color reproduction

The careful selection of lens surface coating and glass materials in the entire optical system make it possible to observe and document the specimen in their original, authentic colors.

Sharp, clear, high-contrast images

The low, suppressed field curvature ensures accurate reproduction of original specimen shapes.



The Greenough optical system has two zoom optical paths inclined at an inward angle. This enables a more compact microscope design while maintaining high performance.



Five zoom body variations with high performance

The SZ61 and SZ51 zoom bodies provide two different magnification ranges. They are available with an ergonomically designed 45-degree inclination tube for the use on the standard stands. For special applications where the zoom body has to be tilted for use with other equipment or mounting on a universal stand, models with 60-degree inclination tube (SZ61-60/SZ51-60) are available. For documentation purposes, OLYMPUS also offers the SZ61TR, which incorporates a trinocular tube for easy attachment of digital and video cameras.

Wide choice of auxiliary objectives

A wide choice of auxiliary objectives enables observations at magnifications from 2x to 270x and W.D. up to 350mm to comply with every application purpose.



SZ61/SZ51



SZ61-60/SZ51-60



SZ61TR

Work more comfortably...and more productively

The Olympus approach to ergonomic design seeks to achieve improvements that make work easier, more comfortable, and more productive, all at the same time. That means applying advanced technological methods to excellent operability, reducing factors that contribute to operator fatigue, and building in effective safety features like ESD design.

Ergonomic design based on 3D CAD analysis

The microscope body and stand feature a design of precisely curved contours developed through careful 3D CAD analysis. Key ergonomic features include an all-round finish that's smooth to the touch and helps to reduce fatigue in long period observations.

Convenient front-access operation

Improved ease of access to the most frequently used knobs and switches maximizes operator comfort and reduces back strain.

Tilting binocular tube for comfortable observations (SZX7)

A comfortable position that minimizes the risk of back strain and muscle tension promotes productivity and quality in routine inspection tasks. The continuously adjustable tilting binocular tube helps the operator to quickly find the most comfortable eyepoint position.

Precise recall of specific magnification settings via integrated click-stop mechanism (SZX7) or zoom knob stopper (SZ61/SZ51)

Many inspection tasks require the use of the same zoom magnification setting to ensure consistent and comparable

results. The integrated click-stop mechanism provides quick and easy access to this important function. The zoom knob stopper allows the user to choose magnification that can be quickly repeated, and the setting in use is clearly displayed on the front control panel.

New eyepiece reduces fatigue and excludes dust

This eyepiece features a pupillary aberration control mechanism whereby the image remains visible even if the operator's eyes move. This has been found to lessen operator fatigue in long lasting observations. The unique eyepiece mounting design excludes dust particles and keep the eyepiece firmly in place ensuring clear images and ergonomically designed eyepiece position.

ESD safety design

The increasing miniaturization and complexity of electronic devices raises the risk of damage by electric shock caused by electrostatic discharge. For this reason, OLYMPUS has taken special measures to design its stereo microscope bodies and main accessories to discharge static electricity from 1000V down to 100V in less than 0.2 seconds, protecting the equipment and preventing damage to samples.



LED Transmitted / Reflected Light Illumination Stand



Tilting trinocular / binocular head (SZX7)



Zoom handle



Click-stop mechanism (SZX7)



Zoom knob stopper (SZ61/SZ51)



Eyepiece lock



Ground wire connection (back side)

OLYMPUS light solutions maximizes visibility in different tasks

OLYMPUS offers a range of light solutions perfectly tuned to the optical system of the zoom stereo microscope, to maximize the visibility of even minute characteristics.

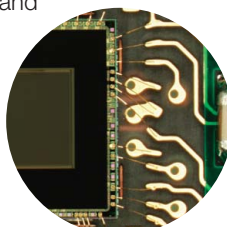
The new LED integrated reflected/transmitted illumination stand

The universal reflected/transmitted illumination stand brings together all the advantages of LED technology. It allows the simultaneous use of reflected and transmitted illumination, and can alter their respective intensities continuously and separately by means of convenient dials on the stand. The use of slim, high-brightness LED's successfully integrates transmitted illumination in a very slim base just 25mm thick that allows easy specimen access and manipulation. The complete microscope including LED integrated stand is extremely lightweight, compact and easy to carry.

Universal reflected illumination systems

Fiber optic illumination systems offer the excellent illumination quality and flexibility. OLYMPUS offers a compact 6 W LED light source (SZ2-CLS) and a 100 W light source (LG-PS2*) for professional use. Homogeneous illumination can be achieved by a ring light. For special contrast effects on free form 3D shapes, OLYMPUS offers a choice of single and double self supporting spot illumination fiber guides and precisely adjustable flexible fiber guides.

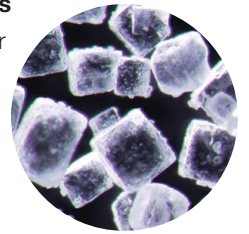
*An equivalent model may be offered in some areas.



Homogeneous light

Transmitted light illumination systems

For all transparent materials as well as for background illumination for the inspection of through holes, the OLYMPUS choice of illumination stands ranges from simple brightfield/simple oblique (SZX2-ILLK) up to brightfield/darkfield (SZX2-ILLD) and brightfield/oblique Koehler (SZX2-ILLB) illumination models. Also available is a brightfield/oblique illumination attachment (SZ2-ILA) that can accommodate various light sources including a 100W halogen lamp housing.

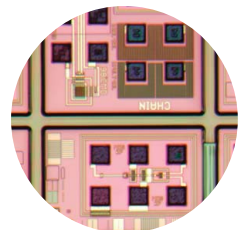


Darkfield light

Special Illumination Techniques

• Looking into holes

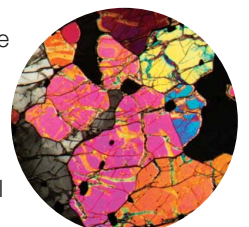
OLYMPUS offers effective coaxial illuminators for the SZX7 (SZX2-ILLC10) and the SZ61/SZ51 (SZ2-ILLC) which direct the light through the microscope's optical axis onto the specimen.



Coaxial light

• Mirrored Surfaces

The illumination of highly reflective specimens needs special techniques in order to avoid disturbing light reflections. For spot and ring light illuminators as well as for coaxial



Polarized light



Flexible angle of LED light source



Homogeneous illuminations fiber optic systems



Intelligent LED ring illumination



White LED illumination unit



illuminators, OLYMPUS offers dedicated polarizing equipment which eliminates such light effects (LG-R66PL for ring light illumination).

Making stress in transparent materials visible

Also available are simple and advanced transmitted illumination stands with polarizing equipment (SZX2-AN, SZX-POL and SZ-POL2) for the efficient evaluation of tensions in transparent materials like plastic and glass. Their ease of use allows continuous, reliable production control of processes like injection molding.

The transmitted/reflected integrated LED illumination stand's slim body and easy operation enables quick observations in a comfortable posture.



Single illuminations fiber optic systems



Transmitted and coaxial illuminations with fiber optic systems



High power fiber optic illumination system

Digital imaging



SZX7 in combination with DP73 digital camera system



SZX7 in combination with DP27 digital camera system



DP22 digital camera mounting on the SZ61

High Resolution Digital Camera DP73

This outstanding 17.3-megapixel cooled digital camera with pixel-shift technologies attains superior resolving power, sensitivity and precise 14-bit (16384 steps) color fidelity. The DP73 is compatible with all the light microscopic observation methods and produces contrast balanced images using a unique dynamic range technology. ISO1600 sensitivity delivers clear display even for faint fluorescence signals. A high-definition 1600 x 1200-pixel image can be displayed live at a rate of 15 frames per second, without compression and a maximum 4800 x 3600-pixel image can be instantly saved.

Digital Camera DP27

This high-resolution 5M-pixel color CCD camera provides optimum true color performance for all industrial applications and imaging techniques. The DP27 incorporates high speed progressive scanning with USB3.0 connectivity.

High-speed , Compact Digital Camera DP22

This 2.8M-pixel color CCD camera can be used as a complete stand-alone model (no PC required). The control box incorporates the 12 most frequently used measurement functions for efficient inspection of industrial parts, providing smooth and intuitive operation via a touchscreen monitor or a mouse.

Wide range of accessories to meet the needs of every application

Easy mounting with other equipment (bonder and prober arms)

The SZX7, SZ61 and SZ51 are designed to be integrated into process equipment. OLYMPUS offers various bonder and prober arms for all common brands.



① B & L style bonder arm / SZ2-STB1 ② Bonder arm / SZ2-STB2 ③ Bonder arm / SZ2-STB3
④ Prober arm / SZ2-STP ⑤ Arm for SZX stand / SZ2-ST5 ⑥ Adapter for B & L bonder arm / SZ-BLAD



Ergonomic low positioned focus handle and more stage adapters

With the focusing unit SZ2-FO, focus adjustment can be done with the hands resting on the work surface. The action of focusing requires minimal force as the microscope zoom body does not need to be moved. This allows prolonged work on difficult samples without fatigue. There are also more stage adapters including the cup stage SZH-SC which gives the specimen a slant angle till 30 degrees from the level.



Various universal stands

A variety of universal stands are available for the observation of large size specimens. No matter how big the samples are or how much they vary in size, OLYMPUS has the right choice of stands to suit any requirements.



SZX7+SZ2-STU2



SZ61+SZ2-STU3

■ SZX7 specifications

| Item | Specifications | | | |
|--|---|---|--|--------|
| Zoom microscope body SZX-ZB7 | Zoom drive: Horizontal knob system Click stop for each zoom magnification: ON-OFF switching possible Zoom ratio values: 7:1 (0.8x to 5.6) Zoom magnification indication: 0.8, 1, 1.25, 1.6, 2, 2.5, 3.2, 4, 5, 5.6 Objective mounting: Screw mounting into thread Lead-free materials used | | | |
| Aperture iris diaphragm control: The AS unit (SZX-AS) is mountable | | | | |
| Observation tube SZX-BI45 SZX-TBI SZX2-TTR SZX2-TR30 | SZX-BI45 | SZX-TBI / SZX2-TTR | SZX2-TR30 | |
| | Binocular tube View inclination angle 45° Lead-free materials used | Tilting binocular (trinocular) tube View tilting angle 5° to 45° | Trinocular tube View inclination angle 30° Light path selection: 2 steps (Binocular 100%, Video 50%/Binocular 50%) | |
| Interpupillary distance adjustable range: 52 to 76 mm Eyepiece clamping knob provided | | | | |
| Stand SZ2-ST | SZ2-ST | | SZ2-ILST | |
| SZ2-ILST | Standard stand | | LED reflected/transmitted illumination stand | |
| Frame installation | Mounting diameter 76 mm | | | |
| Focusing adjustment | Knob rotation tension adjustment Focusing stroke 120 mm | | | |
| Stage plate | SZ2-SPBW (Black & white) SP-C (Glass clear transparent) | | The dedicated glass plate in 100 mm dia. included | |
| Light source | Compact light guide illuminator (SZ2-CLS) mountable (option) Transmitted light illumination attachment (SZ2-ILA) mountable (option) | | Transmitted illumination: LED Reflected illumination: LED Average LED life span: 6000 hrs. Input rating: 100-120V/200-240V~0.15/0.1A, 50/60Hz | |
| Objective *1 The SZ2-ET auxiliary sleeve is required when the SZ2-ST/ SZ2-ILST is used. | Model | Working distance | | |
| | DFPL0.5x-4*1 DFPL0.75x-4 | 171mm 116mm | | |
| | SZX-ACH1x DFPLAPO1.25x SZX-ACH1.25x-2 DFPL1.5x-4 DFPL2x-4 | DFPLAPO1x-4 | 81mm | |
| | All objectives: lead-free materials | 90mm 60mm 68mm 45.5mm 33.5mm | | |
| Eyepieces | "ComfortView" WHSZ series All eyepieces: lead-free materials | | | |
| Weight | Configuration 1 | 4,360g | 5,400g | 5,200g |
| | Configuration 2 | 5,160g | 6,200g | 6,000g |

Configuration 1: SZX-ZB7 + DFPLAPO1x-4 + individual observation tube + WHSZ10x-H (2) + SZ2-ST

Configuration 2: SZX-ZB7 + DFPLAPO1x-4 + individual observation tube + WHSZ10x-H (2) + SZ2-ILST

■ SZ61/SZ51 specifications

| Item | Specifications | | | | |
|---|--|----------------|-------------------------|--|----------------|
| Microscope body SZ61 SZ61-60 SZ61TR SZ51 SZ51-60 | SZ61 | SZ61-60 | SZ61TR | SZ51 | SZ51-60 |
| Magnification | 0.67x to 4.5x | | | 0.8x to 4x | |
| Zoom ratio | 6.7: 1 | | | 5: 1 | |
| Working distance | 110mm | | | | |
| Tube inclination angle | 45° | 60° | 45° | 60° | |
| Interpupillary distance adjustment | Left/right interlocked Adjustment range: 52 to 76 mm (using the WHSZ10X eyepieces) | | | | |
| Video camera adaptability | — | | C-mount (0.5x built in) | — | |
| Zoom adjustment knob | Left/right single-shaft horizontal knob Interpupillary distance high/low magnification stopper incorporated. | | | | |
| Optical components | Lead-free materials used | | | | |
| Auxiliary objective | Mounting by screwing into the thread at the bottom of frame (M48 thread x0.75) | | | | |
| Eyepiece | "ComfortView" WHSZ series Lead-free materials used | | | | |
| Stand SZ2-ST | SZ2-ST | | | SZ2-ILST | |
| SZ2-ILST | Standard stand | | | LED reflected/transmitted illumination stand | |
| Frame installation | Mounting diameter: 76mm | | | | |
| Focusing adjustment | Focusing stroke: 120mm | | | | |
| Stage plate | SZ2-SPBW (Black & white for anti-ESD) SP-C (Clear glass plate) | | | The dedicated glass plate in 100mm dia. included | |
| Light source | Compact light guide illuminator (SZ2-CLS) mountable (option) Transmitted light illumination attachment (SZ2-ILA) mountable (option) | | | Transmitted illumination: LED Reflected illumination: LED Average LED life span: 6000 hrs. Input rating: 100-120V/200-240V ~0.15/0.1A, 50/60Hz | |
| Weight | Zoom body only | 1,300g | 1,500g | 1,300g | |
| | Configuration 3 | 3,520g | 3,720g | 3,520g | |

Configuration3: Zoom body + WHSZ10X-H(2) + SZ2-ST

■ "ComfortView" WHSZ eyepiece

| | FN | Diopter adjustment | Reticle | Focal magnification |
|-----------|------|--------------------|---------|---------------------|
| WHSZ10x | 22 | — | N.A. | — |
| WHSZ20x | 12.5 | — | N.A. | — |
| WHSZ10x-H | 22 | -8-+5 | Yes*2 | — |
| WHSZ15x-H | 16 | -8-+5 | Yes*2 | — |
| WHSZ20x-H | 12.5 | -8-+5 | Yes*2 | 1.3x |
| WHSZ30x-H | 7 | -8-+5 | Yes*2 | 2x |

*2Applicable reticle size: 24 mm diameter, t1.5

■ Auxiliary objective for SZ61/SZ51

| | Working distance (mm) |
|------------|-----------------------|
| 110ALK0.3x | 250-350 |
| 110ALK0.4x | 180-250 |
| 110AL0.5x | 200 |
| 110AL0.62x | 160 |
| 110AL0.75x | 130 |
| 110AL1.5x | 61 |
| 110AL2x | 38 |

■ SZX7 optical performance

| Eyepiece | WHSZ10x-H WHSZ10x | | WHSZ15x-H | | WHSZ20x-H WHSZ20x | | WHSZ30x-H | |
|-----------|----------------------|--------------------|---------------------|--------------------|----------------------|--------------------|---------------------|--------------------|
| | 22 | | 16 | | 12.5 | | 7 | |
| Objective | Total magnification | Field of view (mm) | Total magnification | Field of view (mm) | Total magnification | Field of view (mm) | Total magnification | Field of view (mm) |
| 0.5x | 4x-28x | 55-7.8 | 6x-42x | 40.0-5.7 | 8x-56x | 31.3-4.5 | 12x-84x | 17.5-2.5 |
| 0.75x | 6x-42x | 36.7-5.2 | 9x-63x | 26.7-3.8 | 12x-84x | 20.8-3.0 | 18x-126x | 11.7-1.7 |
| 1x | 8x-56x | 27.5-3.9 | 12x-84x | 20.0-2.9 | 16x-112x | 15.6-2.2 | 24x-168x | 8.8-1.3 |
| 1.25x | 10x-70x | 22-3.1 | 15x-105x | 16.0-2.3 | 20x-140x | 12.5-1.8 | 30x-210x | 7.0-1.0 |
| 1.5x | 12x-84x | 18.3-2.6 | 18x-126x | 13.3-1.9 | 24x-168x | 10.4-1.5 | 36x-252x | 5.8-0.83 |
| 2x | 16x-112x | 13.8-1.9 | 24x-168x | 10.0-1.4 | 32x-224x | 7.8-1.1 | 48x-336x | 4.4-0.63 |

■ SZ61/SZ51 optical performance

| Microscope Body | Zoom magnification | WHSZ10x-H WHSZ10x | | WHSZ15x-H | | WHSZ20x-H WHSZ20x | | WHSZ30x-H | |
|-----------------|--------------------|----------------------|--------------------|---------------------|--------------------|----------------------|--------------------|---------------------|--------------------|
| | | FN 22 | | FN 16 | | FN 12.5 | | FN 7 | |
| | | Total magnification | Field of view (mm) | Total magnification | Field of view (mm) | Total magnification | Field of view (mm) | Total magnification | Field of view (mm) |
| SZ61 | 0.67x | 6.7 | 32.8 | 10.1 | 23.9 | 13.4 | 18.7 | 20.1 | 10.4 |
| | 1x | 10 | 22 | 15 | 16 | 20 | 12.5 | 30 | 7.0 |
| | 2x | 20 | 11 | 30 | 8 | 40 | 6.3 | 60 | 3.5 |
| | 3x | 30 | 7.3 | 45 | 5.3 | 60 | 4.2 | 90 | 2.3 |
| | 4.5x | 45 | 4.9 | 67.5 | 3.6 | 90 | 2.8 | 135 | 1.6 |
| SZ51 | 0.8x | 8 | 27.5 | 12 | 20 | 16 | 15.6 | 24 | 8.8 |
| | 1x | 10 | 22 | 15 | 16 | 20 | 12.5 | 30 | 7.0 |
| | 2x | 20 | 11 | 30 | 8.0 | 40 | 6.3 | 60 | 3.5 |
| | 3x | 30 | 7.3 | 45 | 5.3 | 60 | 4.2 | 90 | 2.3 |
| | 4x | 40 | 5.5 | 60 | 4.0 | 80 | 3.1 | 120 | 1.8 |

* No auxiliary objective is attached

■ Light guide

| Item | Specifications | | | | |
|------------------------|--------------------------------------|------------------|---------------|------------------|---------------|
| Model | SZ2-CLGR | SZ2-CLGDI | SZ2-CLGDF | SZ2-CLGSI | SZ2-CLGSF |
| Tube type | Flexible tube | Interlocked tube | Flexible tube | Interlocked tube | Flexible tube |
| Total length | 900 mm | 580 mm | 691 mm | 570 mm | 663 mm |
| Fiber | Type (Material) Multicomponent glass | | | | |
| Bundle diameter | Input end | ø6 mm | ø5 mm | ø5 mm | ø4.5 mm |
| | Output end | ø2.4 x 6 mm | ø3.5 mm | ø6.4 mm | ø3.5 mm |
| Minimum bending radius | 60 mm | 60 mm | 25 mm | 60 mm | 25 mm |

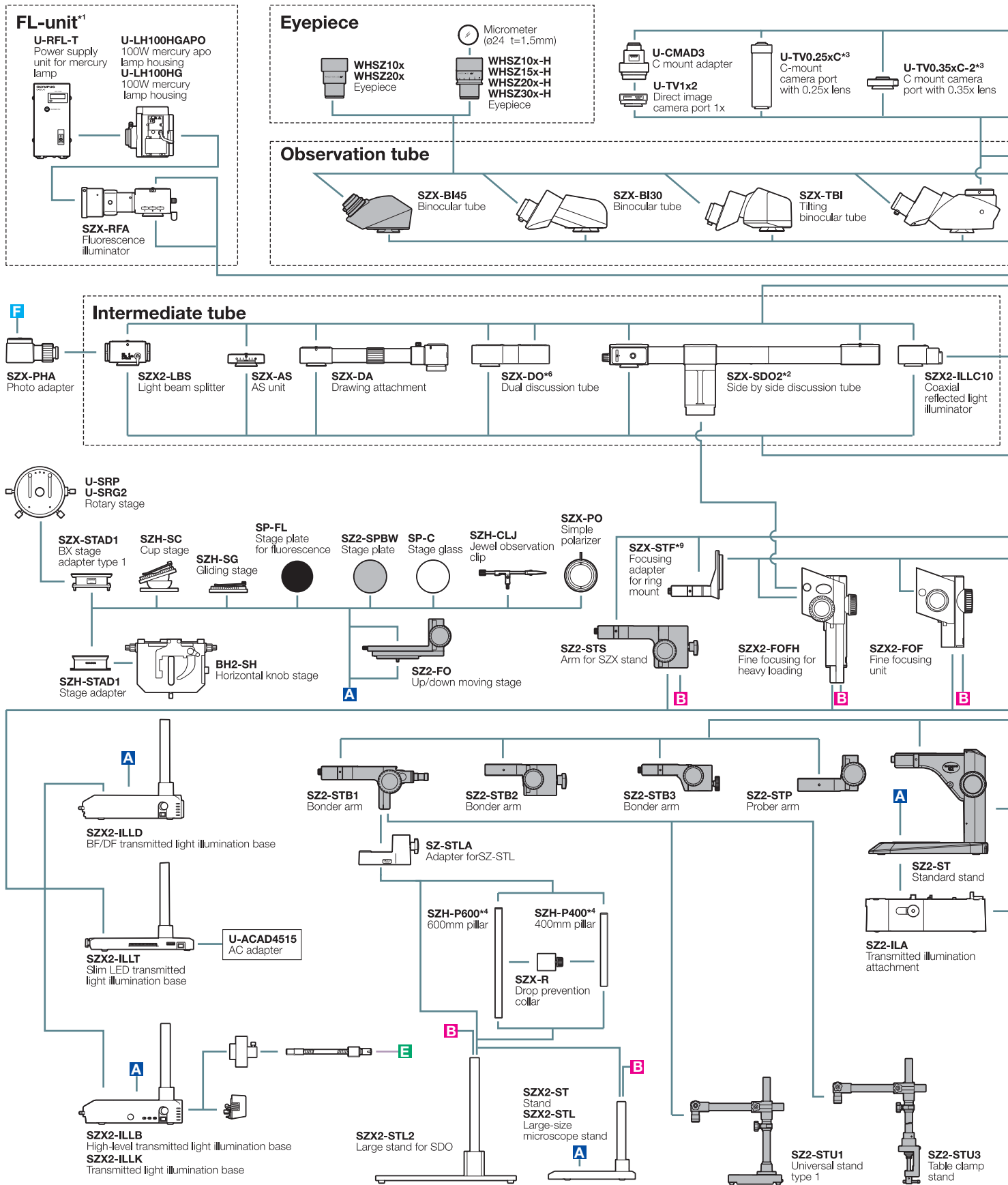
■ Compact light guide illuminator SZ2-CLS

| Item | Specifications |
|----------------------------|--|
| Dimensions (W x D x H) | 107 x 61 x 114 mm |
| Weight | Approx. 0.35 kg (Main body) |
| Color temperature | Approx. 5,600 K |
| Light intensity adjustment | Continuous |
| LED life time | Approx. 50,000 hours (The light intensity is reduced by 70%.) |
| Cooling | Convection |
| Ambient temperature | 5 to 40 °C (41 to 104 °F) |
| Operating voltage | AC100 V-240 V (AC adapter) |
| Power consumption | Max. 6 W |

■ LED ring illumination SZX2-ILR66

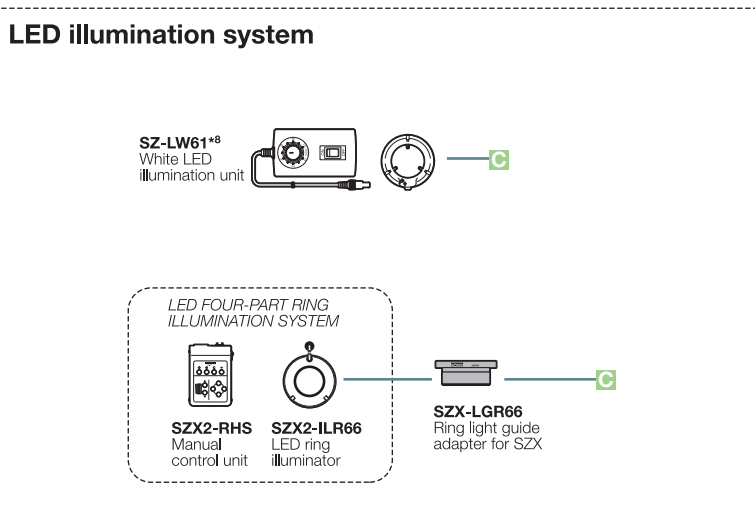
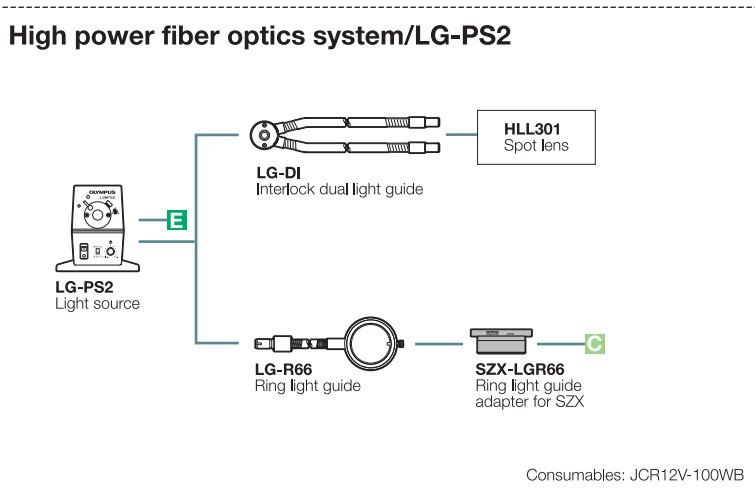
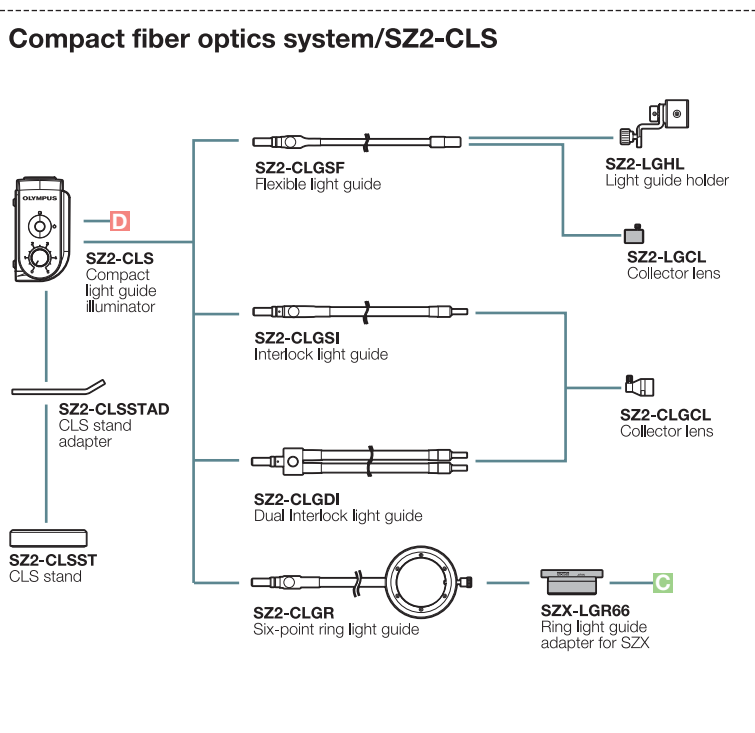
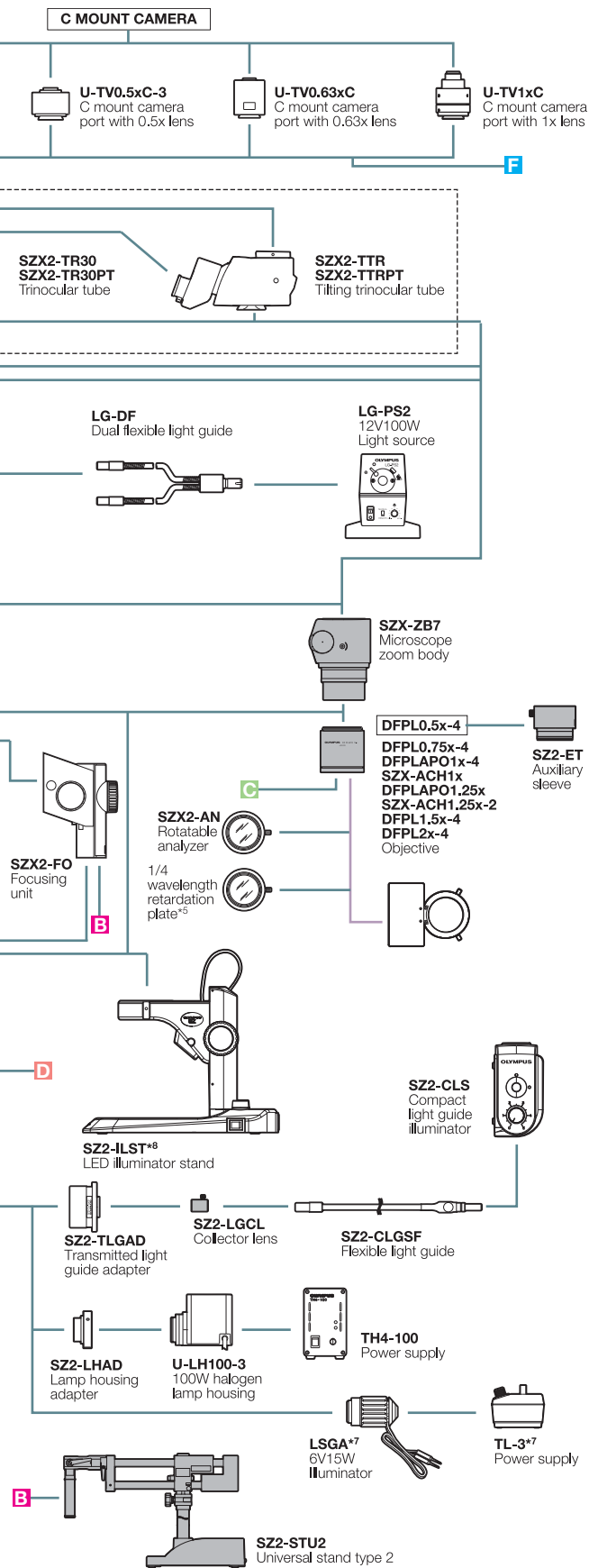
| Item | Specifications |
|--------------|--|
| Features | 4-part LED ring illumination 4-part independent ON/OFF available |
| Illumination | Operation modes : rotary, mirror ESD compatible, Clean class 1 |
| Light source | 17-step light intensity adjustable AC100-240 V |
| Others | SZX-LGR66/SZ-LGR66 adapters are required for SZX7/SZ61 respectively |

■ SZX7 system diagram



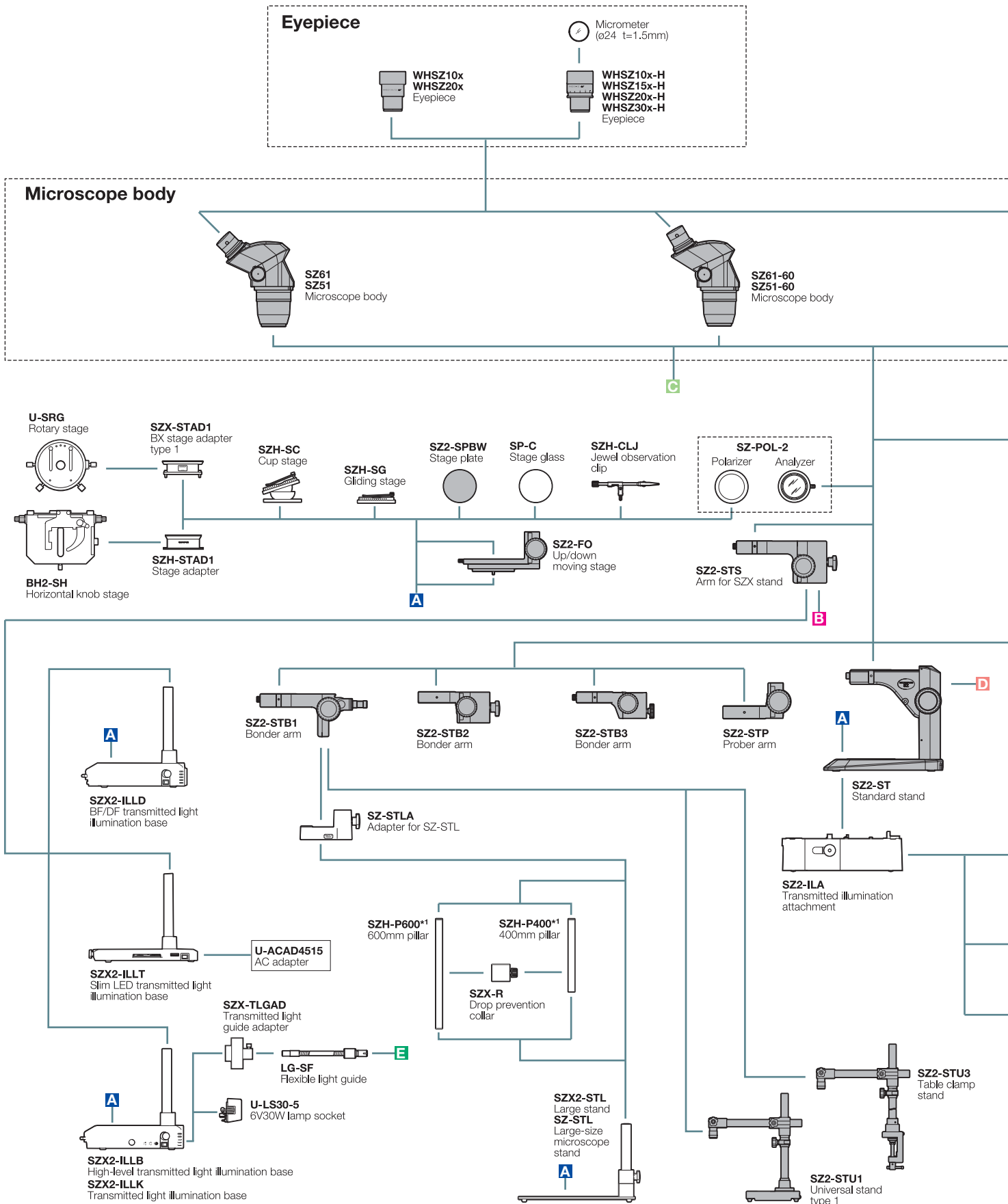
ESD compatible

^{*1} Focusing unit (SZX2-FOF, SZX-FOFH or SZX-FO) and SZX-STF are required when mounting fluorescent unit. ^{*2} SZX2-FOFH and SZX-STL2 are required when using SZX-SDO2.
^{*3} Please contact your nearest Olympus dealer for applicable cameras. ^{*4} SZH-P400 and SZH-P600 can be attached to the transmitted light illuminators. ^{*5} Equipped to SZX2-ILLC10.
^{*6} Please contact your nearest Olympus dealer for applicable observation tube combination.



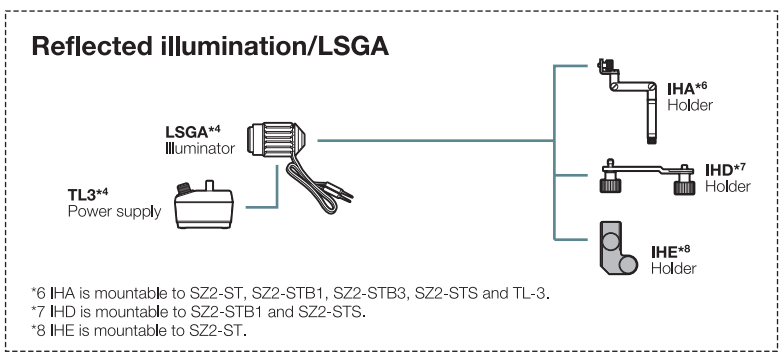
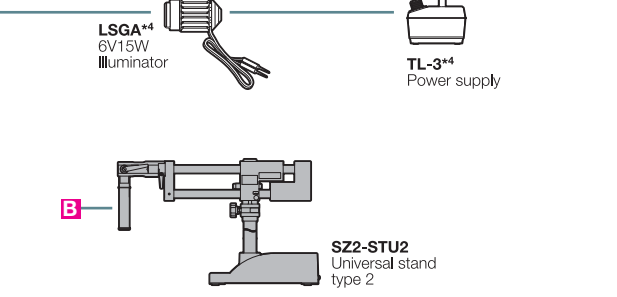
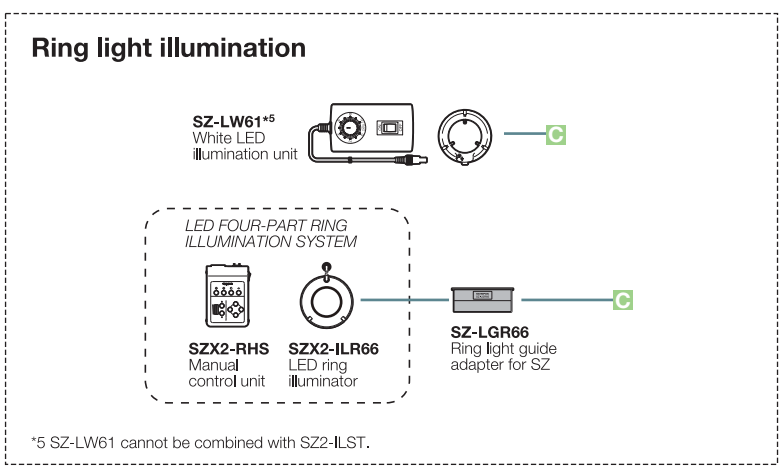
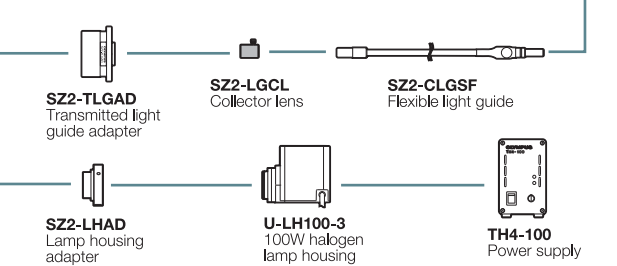
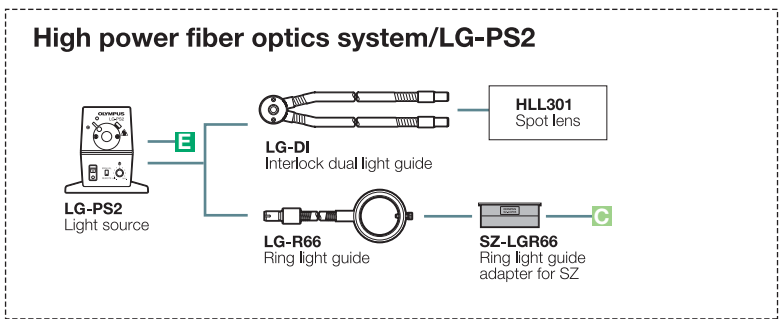
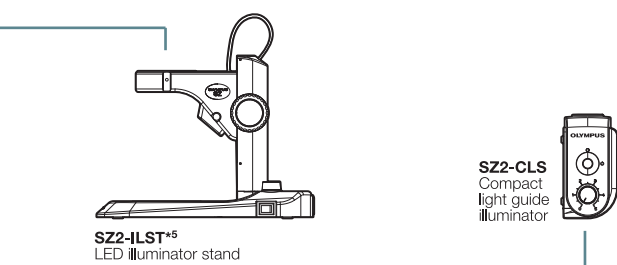
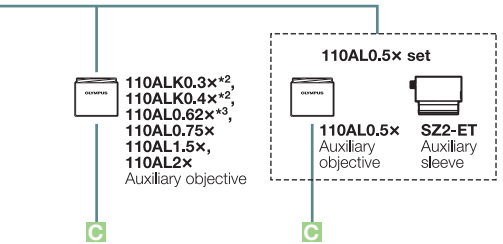
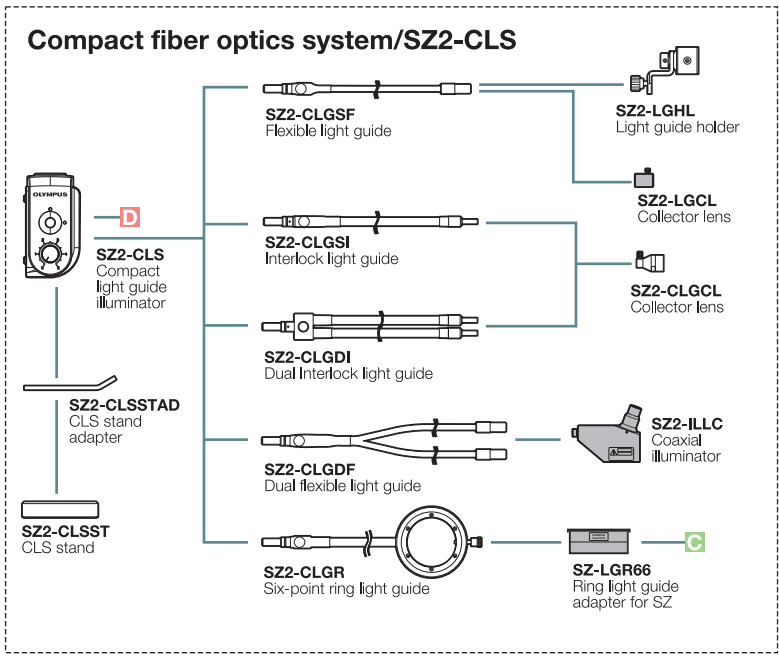
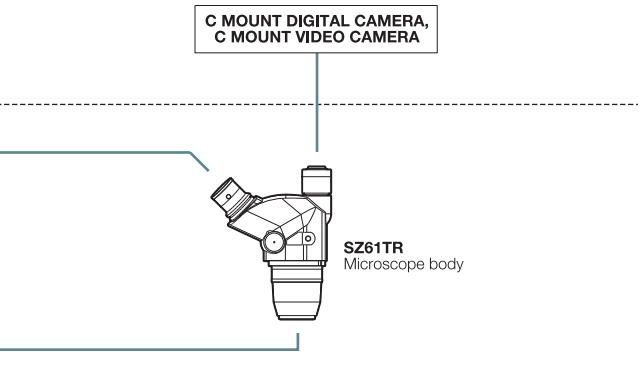
*7 Not available in some areas. *8 SZ-LW61 cannot be combined with SZ2-ILST.
 *9 SZX-ACH1.25X and DFPLA01.5X-4 cannot be combined with SZX-STF.

■ SZ61/SZ51 system diagram



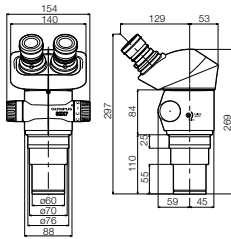
ESD compatible

*1 SZH-P400 and SZH-P600 can be attached to the transmitted light illuminators. *2 For information about configurable illumination base or stand, contact your nearest Olympus dealer.
*3 Made to order. *4 Not available in some areas.

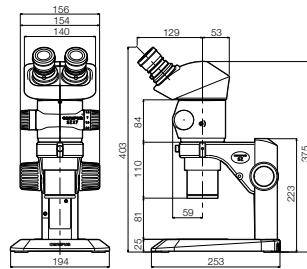


■ SZX7 dimensions

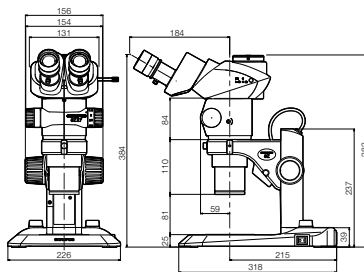
SZX7



SZX7+SZ2-ST

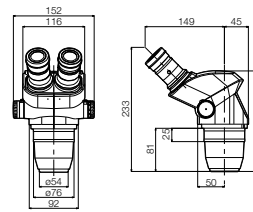


SZX7 (SZX2-TR30 configuration) +SZ2-ILST

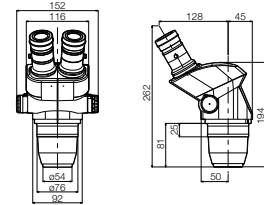


■ SZ61/SZ51 dimensions

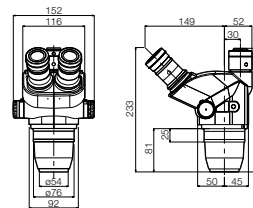
SZ61/SZ51



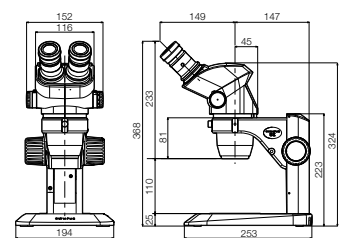
SZ61-60/SZ51-60



SZ61TR



SZ61+SZ2-ST/
SZ51+SZ2-ST



- OLYMPUS CORPORATION is ISO9001/ISO14001 certified.
- Illumination devices for microscope have suggested lifetimes. Periodic inspections are required. Please visit our web site for details.
- All company and product names are registered trademarks and/or trademarks of their respective owners.
- Images on the PC monitors are simulated.
- Specifications and appearances are subject to change without any notice or obligation on the part of the manufacturer.



元利儀器股份有限公司

台北市內湖區陽光街365巷39號6樓

TEL:886(2)8751-2222 FAX:886(2)8751-5356

台中市西屯區文心路三段447號23樓-1

TEL:886(4)2293-3161 FAX:886(4)2297-3049

高雄市苓雅區中正一路120號14樓-2

TEL:886(7)716-1295 FAX:886(7)716-3827