

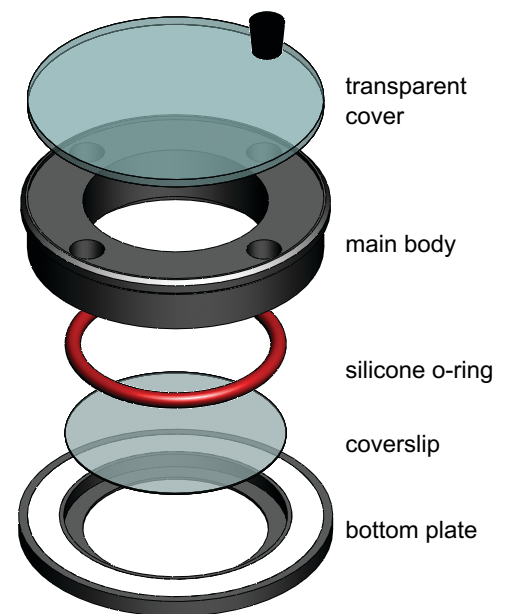
Chamlide CMB

35mm Dish Type 1 Well Magnetic Chambers for Round Coverslip

- Patented magnetic system for easy assembly
- User friendly and safe
- Installation takes a few seconds.
- The exterior size is the same as 35mm culture dish.
- Re-useable and replaceable coverslip-bottomed 35mm dishes
- Usable with the Chamlide MB (multi-hole bottom plate) and the Chamlide MD (6 dish holder)
- Controllable biological environment with Chamlide incubator systems (e.g. Chamlide TC, Chamlide IC, or Chamlide WP) for 6-well plate and gas mixing systems (e.g. FC-5 or FC-7)



Chamlide CMB for 18mm and 25mm coverslip

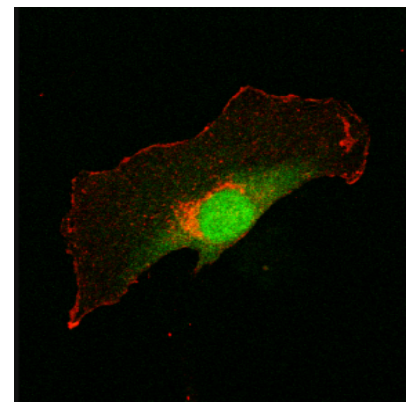


patented magnetic chamber system

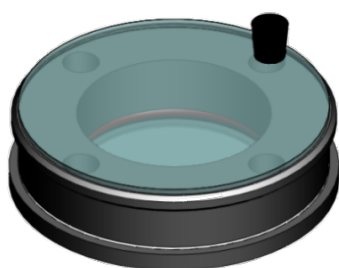
How to use Chamlide magnetic chambers

1. Culture the cells on a coverslip.
2. With a forceps, transfer a coverslip to the bottom plate.
3. Place the main body close to the bottom plate.
(The main body will automatically attach to the bottom plate by magnetic force.)
4. Fill the chamber with an observation medium.

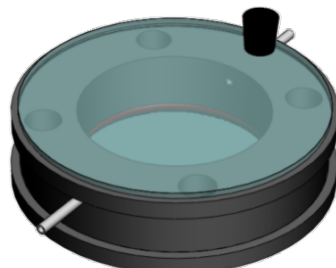
* You can also use pre-assembled chamber to directly seed the cells.



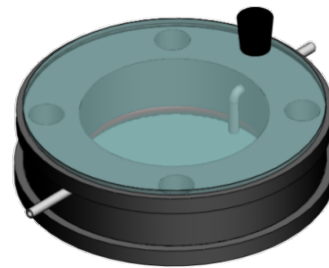
■ Chamlide CMB for Injection



standard Chamlide CMB



straight tubing type Chamlide CMB



L-shape tubing type Chamlide CMB

- Chamlide CMBs for injection: straight tubing type Chamlide CMB and L-shape tubing type Chamlide CMB.
- Straight / L-shape tubing type are injectable to the fresh medium or drug into the chamber.
- L-shape tubing type Chamlide CMB is removable to the medium inside the chamber with suction.

Specifications

35mm dish type magnetic chamber for 18mm coverslip internal volume

Maximum 1.2 ml

35mm dish type magnetic chamber for 25mm coverslip internal volume

Maximum 2.7 ml

Chamber material

Body	Black polycarbonate
Bottom	Aluminum alloy, steel
Cover	Glass
O-ring	Silicone

Model No.

Product

CM-B12-1	Chamlide CMB for 12mm round coverslips
CM-B12-1PA	Straight tubing type CM-B12-1
CM-B12-1PB	L-shape tubing type CM-B12-1
CM-B15-1	Chamlide CMB for 15mm round coverslips
CM-B15-1PA	Straight tubing type CM-B15-1
CM-B15-1PB	L-shape tubing type CM-B15-1
CM-B18-1	Chamlide CMB for 18mm round coverslips
CM-B18-1PA	Straight tubing type CM-B18-1
CM-B18-1PB	L-shape tubing type CM-B18-1

Model No.

Product

CM-B20-1	Chamlide CMB for 20mm round coverslips
CM-B20-1PA	Straight tubing type CM-B20-1
CM-B20-1PB	L-shape tubing type CM-B20-1
CM-B22-1	Chamlide CMB for 22mm round coverslips
CM-B22-1PA	Straight tubing type CM-B22-1
CM-B22-1PB	L-shape tubing type CM-B22-1
CM-B25-1	Chamlide CMB for 25mm round coverslips
CM-B25-1PA	Straight tubing type CM-B25-1
CM-B25-1PB	L-shape tubing type CM-B22-1

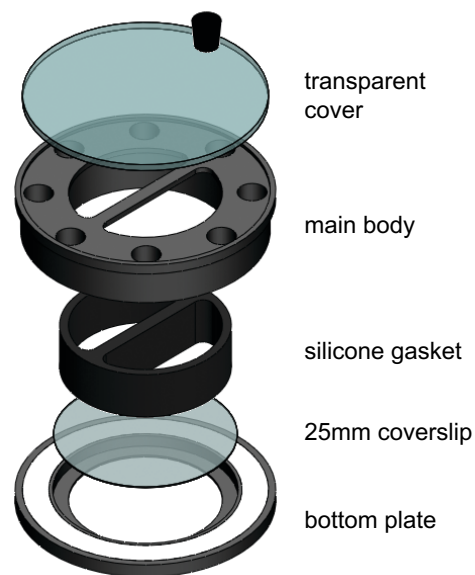
Chamlide CMM

35mm Dish Type Multi-Well Magnetic Chambers for Round Coverslip

2 / 4-Well Chamlide CMM with 25mm Round Coverslip



- 2-well chamber and 4-well chamber for 25mm round coverslip
- Silicon gasket prevents leaking of the medium between wells.
- Exterior size of CM-M25-2/4 is the same as 35mm culture dish.
- Usable with the Chamlide MB (multi-hole bottom plate) and the Chamlide MD (6-dish holder).
- Controllable biological environment using Chamlide incubator systems (e.g. Chamlide TC, Chamlide IC, or Chamlide WP) for 6-well plate and gas mixing systems (e.g. FC-5 or FC-7)
- Other features are the same as Chamlide magnetic chamber.



Specifications

25mm coverslip type 2-well magnetic chamber (CM-M25-2) internal volume

Maximum 1.0 ml / well

25mm coverslip type 4-well magnetic chamber (CM-M25-4) internal volume

Maximum 450 μl / well

12mm coverslip type 4-well magnetic chamber (CM-M12-4) internal volume

Maximum 400 μl / well

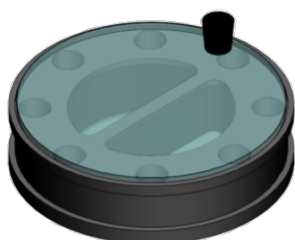
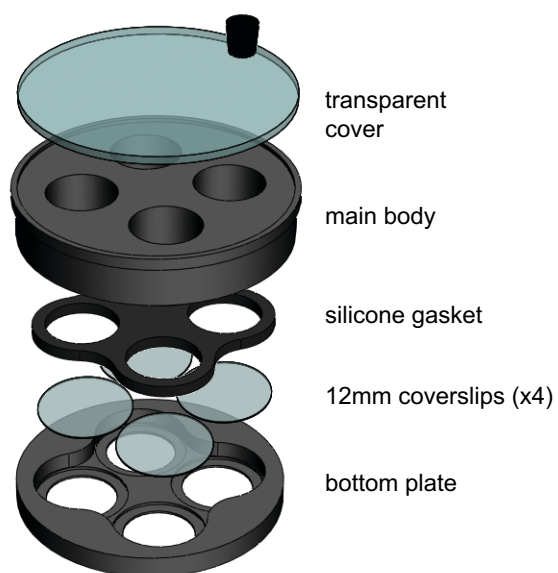
Chamber material

Body Black polycarbonate
Bottom Aluminum alloy, steel
Cover Glass
Gasket Silicone

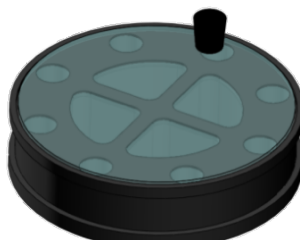
4-Well Chamlide CMM for 12mm Round Coverslip



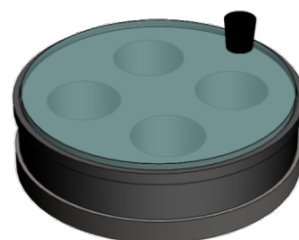
- 4-well chamber for 12mm round coverslips.
- Four 12mm coverslips and a silicone gasket are usable.
- The exterior size of Chamlide CM-M12-4 is the same as 35mm culture dish.
- Other features are the same as Chamlide magnetic chamber.
- Usable with Chamlide MD (6-dish holder).
- The biological environment is controllable using Chamlide incubator systems (e.g. Chamlide TC, Chamlide IC, or Chamlide WP) for 6-wellplate and gas mixing systems (e.g. FC-5 or FC-7) for live cell imaging.



2-well Chamlide CMM
for 25mm round coverslip



4-well Chamlide CMM
for 25mm round coverslip



4-well Chamlide CMM
for 12mm round coverslip

Model No.

CM-M25-2

CM-M25-4

CM-M12-4

Product

2-well Chamlide CMM for 25mm round coverslip

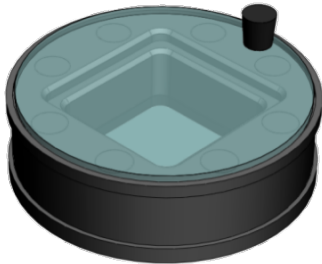
4-well Chamlide CMM for 25mm round coverslip

4-well Chamlide CMM for 12mm round coverslip

Chamlide CMS

35mm Dish Type Magnetic Chambers for Square Coverslip

1 Well Chamlide CMS



Coverslip

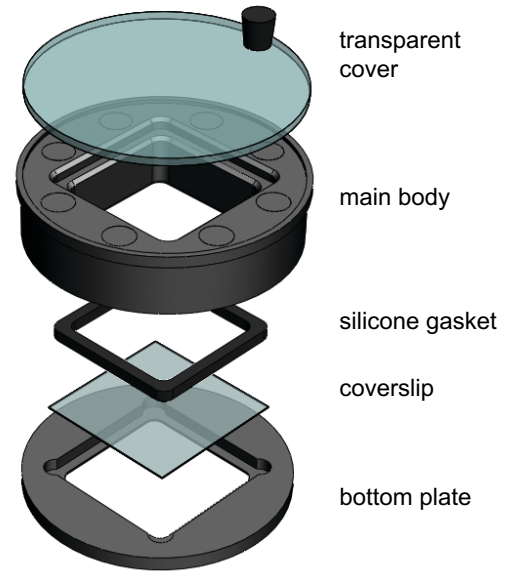
18 mm x 18 mm

20 mm x 20 mm

22 mm x 22 mm

24 mm x 24 mm

- 1 well Chamlide CMS is for the square coverslip, and 18 x 18 / 20 x 20 / 22 x 22 / 24x24mm coverslips are available.
- Other functions and features are the same as the standard type Chamlide CMB.



transparent cover

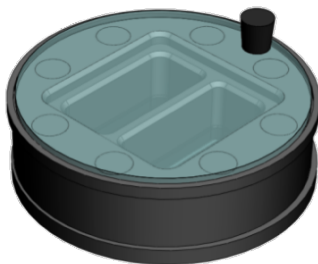
main body

silicone gasket

coverslip

bottom plate

2-Well Chamlide CMS



Coverslip

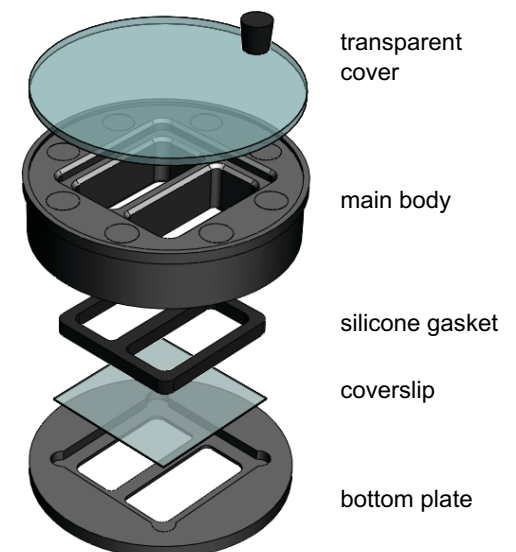
18 mm x 18 mm

20 mm x 20 mm

22 mm x 22 mm

24 mm x 24 mm

- 2-well Chamlide CMS is for the square coverslip, and 18 x 18 / 20 x 20 / 22 x 22 / 24x24mm coverslips are available.
- Other functions and features are the same as the standard type Chamlide CMM.



transparent cover

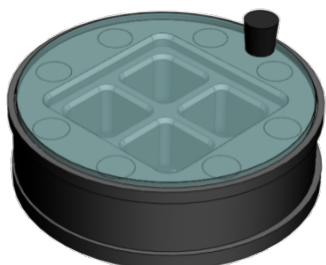
main body

silicone gasket

coverslip

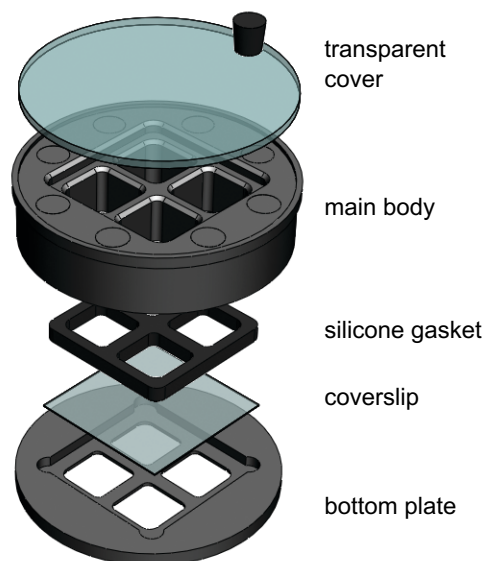
bottom plate

4-Well Chamlide CMS



Coverslip

18 mm x 18 mm
20 mm x 20 mm
22 mm x 22 mm
24 mm x 24 mm



- 4-well Chamlide CMS is for the square coverslip, and 18 x 18 / 20 x 20 / 22 x 22 / 24x24 coverslip is available.
- Other functions and features are the same as the standard type Chamlide CMM.

Specifications

24x24 coverslip type 1 well magnetic chamber internal volume

24x24 coverslip type 2-well magnetic chamber internal volume

24x24 coverslip type 4-well magnetic chamber internal volume

Chamber material

Maximum 2.0 ml / well

Maximum 800 μl / well

Maximum 400 μl / well

Body Black polycarbonate

Bottom Aluminum alloy

Cover Glass

Gasket Silicone

Model No.

CM-S18-1

CM-S20-1

CM-S22-1

CM-S24-1

CM-S18-2

CM-S20-2

CM-S22-2

CM-S24-2

CM-S18-4

CM-S20-4

CM-S22-4

CM-S24-4

Product

1 well Chamlide CMS for 18mmx18mm coverslip

1 well Chamlide CMS for 20mmx20mm coverslip

1 well Chamlide CMS for 22mmx22mm coverslip

1 well Chamlide CMS for 24mmx24mm coverslip

2-well Chamlide CMS for 18mmx18mm coverslip

2-well Chamlide CMS for 20mmx20mm coverslip

2-well Chamlide CMS for 22mmx22mm coverslip

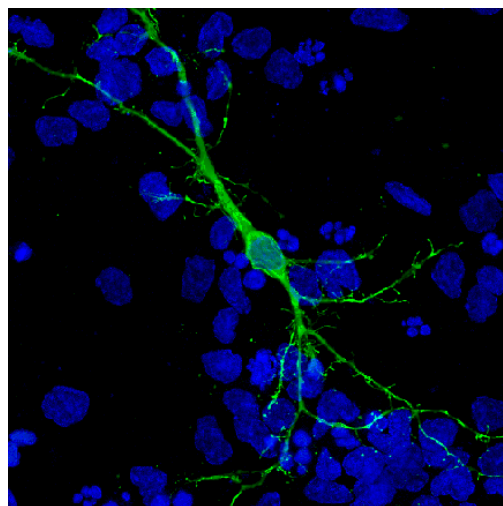
2-well Chamlide CMS for 24mmx24mm coverslip

4-well Chamlide CMS for 18mmx18mm coverslip

4-well Chamlide CMS for 20mmx20mm coverslip

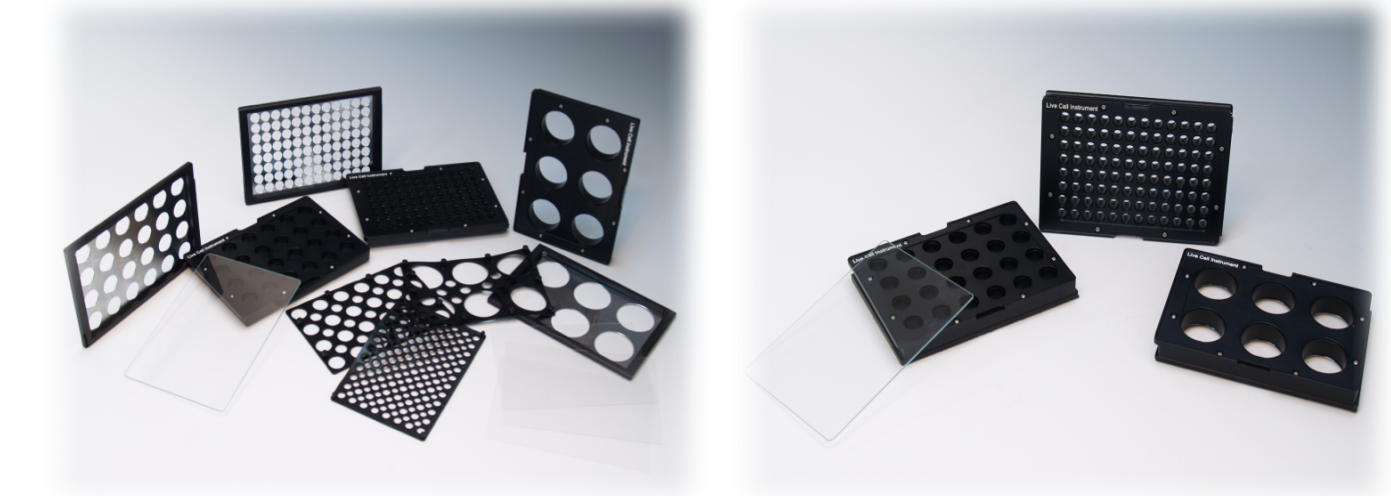
4-well Chamlide CMS for 22mmx22mm coverslip

4-well Chamlide CMS for 24mmx24mm coverslip



Chamlide PT

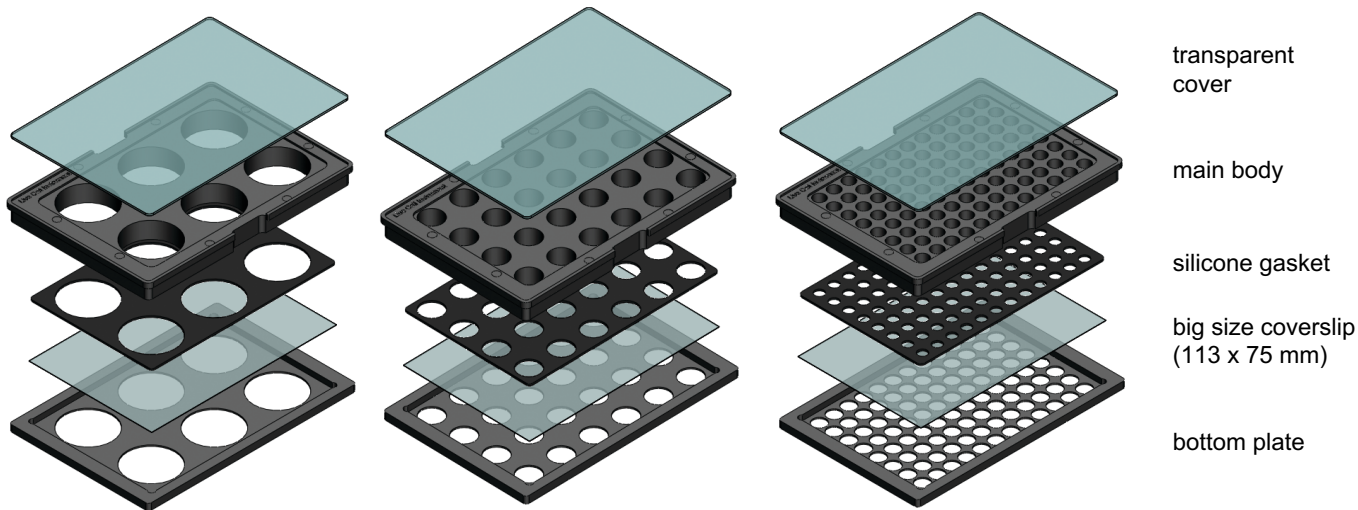
Well Plate Type Multi-Well Magnetic Chamber



- Disposable cover glass bottomed well plate is replaceable.
- Semi-permanent
- The bottom cover glass are simply removable and replaceable for the next use.
- Auto-cleavable
- Silicone gaskets to prevent leaking
- Big size (113mm x 75mm, #1.5, thickness ~0.17mm) coverslip. (See Page 49, 70091137B)
- Metal bottom for stable temperature control during the live cell imaging
- Non-toxic and non-reactive polycarbonate material
- Patented magnetic multi-well chamber system for easy installation
- Temperature and CO₂ level are controllable with Chamlide WP and FC-5 for live cell imaging.

How to use Chamlide PT

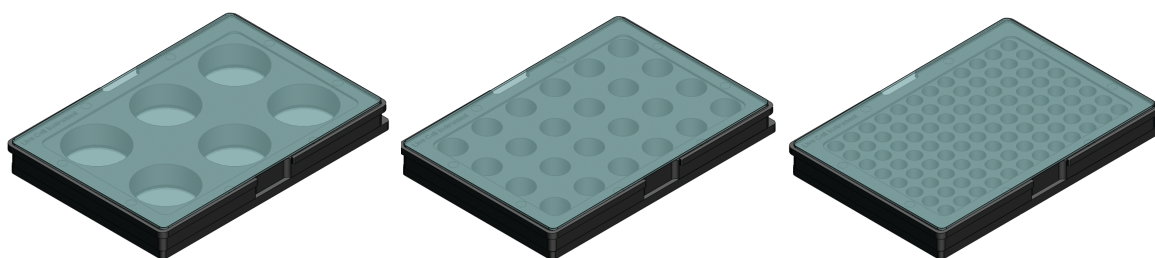
1. Put the big size coverslip (113mm x 75 mm) into the bottom plate.
2. Fit the main body with the silicone gasket.
3. Place the main body close to the bottom plate
(The main body will automatically attach to the bottom plate by **magnetic force.**)
4. Seed the cells into the chamber
5. Use it with Chamlide WP for the live cell imaging or put it in the CO₂ incubator for cell culture.



6-well Chamlide PT

24-well Chamlide PT

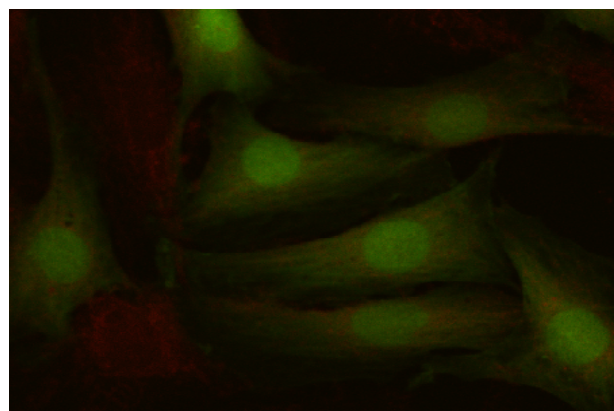
96-well Chamlide PT



Specifications

6-well plate type magnetic chamber internal volume	Maximum	5.5 ml / well
24-well plate type magnetic chamber internal volume	Maximum	1.0 ml / well
96-well plate type magnetic chamber internal volume	Maximum	230 μ l / well
Material	Main body	Black polycarbonate
	Bottom	Black anodized aluminum alloy, steel
	Cover	Glass
	Gasket	Silicone

Model No.	Product
PT-S-06	6-well Chamlide PT
PT-S-12	12-well Chamlide PT
PT-S-24	24-well Chamlide PT
PT-S-48	48-well Chamlide PT
PT-S-96	96-well Chamlide PT

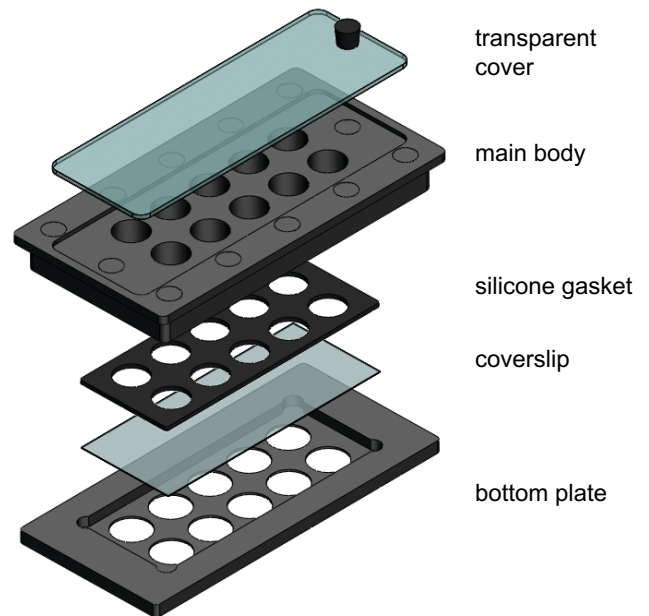


Well Slip

Coverslip Bottom Magnetic Chamber for Rectangular Coverslip



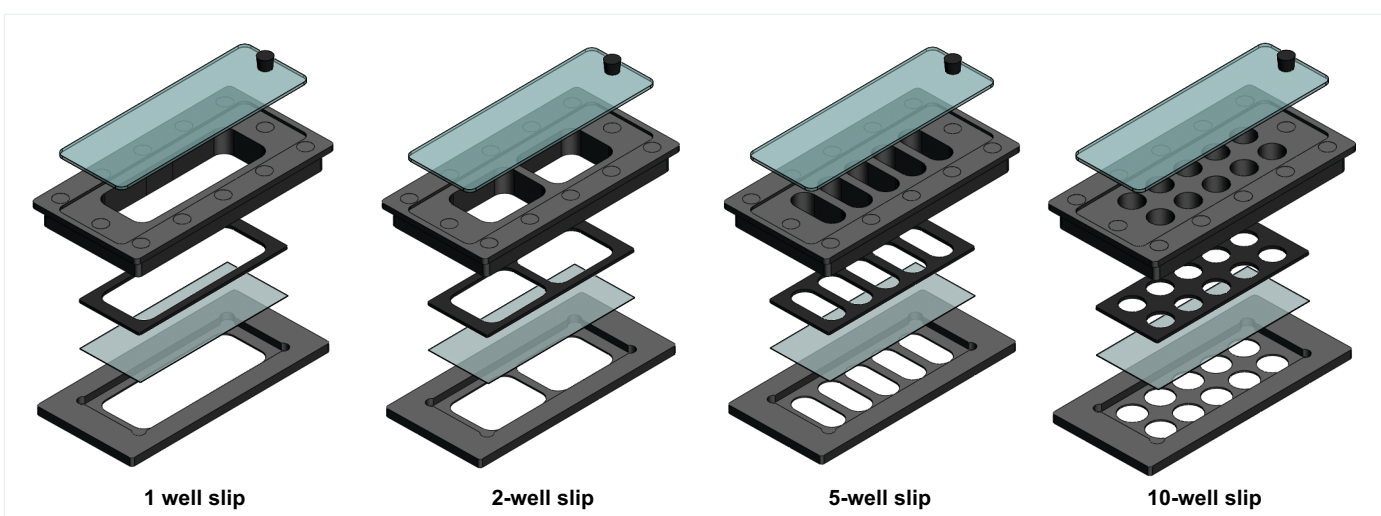
- Consumable chambered cover glass is replaceable.
- Semi-permanent and re-useable
- Bottom coverslip is simply removable and replaceable for next use.
- Auto cleavable
- Silicone gaskets to prevent leaking
- Metal bottom for stable temperature control during the live cell imaging
- Non-toxic and non-reactive polycarbonate material
- Patented magnetic system for easy assembly
- Temperature and CO₂ level are controllable using ChamSlide TC and FC-5 for live cell imaging.



Specifications

Material	Main body	Black polycarbonate
	Bottom	Black anodized aluminum alloy
	Cover	Glass
	Gasket	Silicone

Coverslip	Well Quantity
22 mm x 32 mm	1 well / 2 wells
22 mm x 40 mm	1 well / 2 wells / 4 wells
22 mm x 50 mm	1 well / 2 wells / 4 wells / 8 wells
22 mm x 60 mm	1 well / 2 wells / 5 wells / 10 wells
24 mm x 32 mm	1 well / 2 wells
24 mm x 40 mm	1 well / 2 wells / 4 wells
24 mm x 50 mm	1 well / 2 wells / 4 wells / 8 wells
24 mm x 60 mm	1 well / 2 wells / 5 wells / 10 wells



Well slip for 22(24) x 60mm

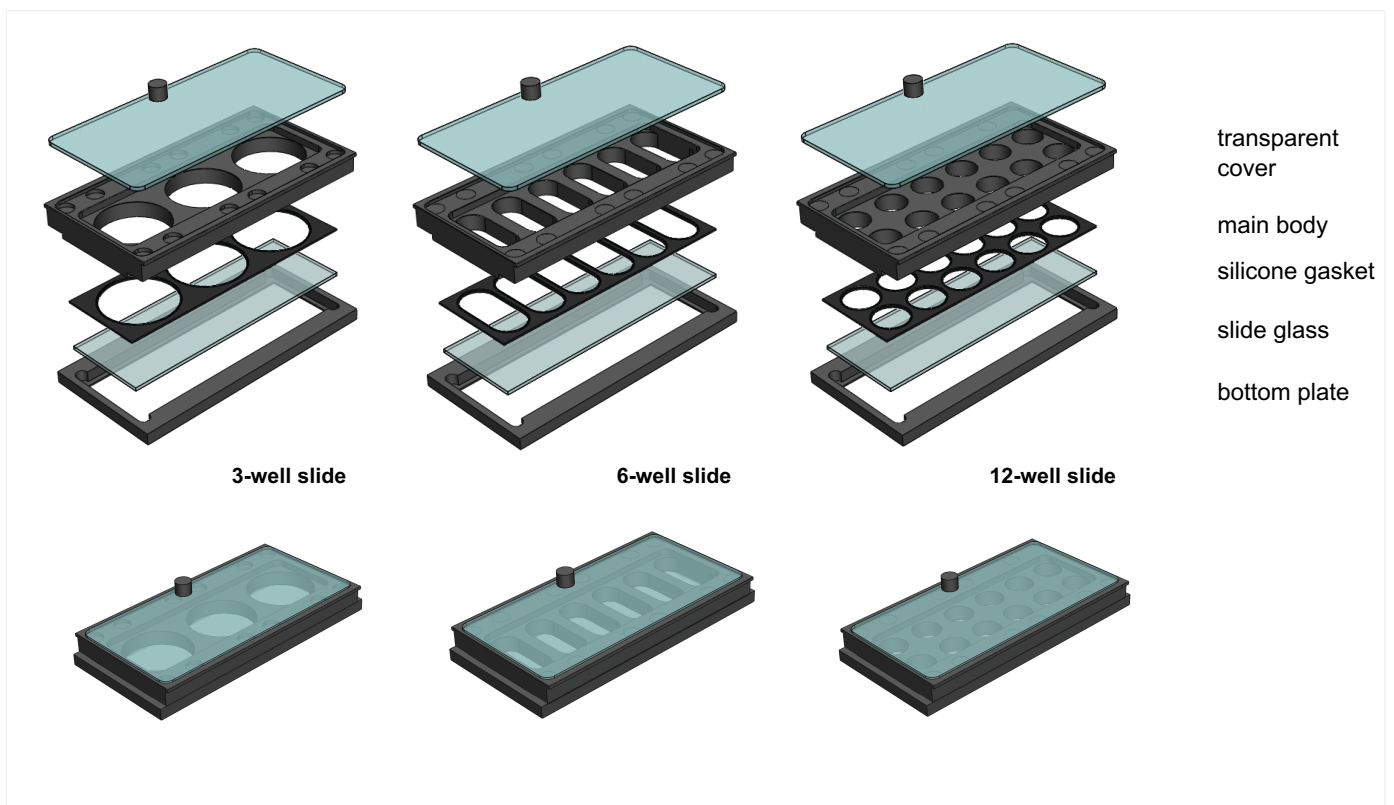
Model No.	Product
WL-2232-1	1 well slip for 22mmx32mm coverslip
WL-2240-1	1 well slip for 22mmx40mm coverslip
WL-2250-1	1 well slip for 22mmx50mm coverslip
WL-2260-1	1 well slip for 22mmx60mm coverslip
WL-2432-1	1 well slip for 24mmx32mm coverslip
WL-2440-1	1 well slip for 24mmx40mm coverslip
WL-2450-1	1 well slip for 24mmx50mm coverslip
WL-2460-1	1 well slip for 24mmx60mm coverslip
WL-2232-2	2-well slip for 22mmx32mm coverslip
WL-2240-2	2-well slip for 22mmx40mm coverslip
WL-2250-2	2-well slip for 22mmx50mm coverslip
WL-2260-2	2-well slip for 22mmx60mm coverslip
WL-2432-2	2-well slip for 24mmx32mm coverslip

Model No.	Product
WL-2440-2	2-well slip for 24mmx40mm coverslip
WL-2450-2	2-well slip for 24mmx50mm coverslip
WL-2460-2	2-well slip for 24mmx60mm coverslip
WL-2240-4	4-well slip for 22mmx40mm coverslip
WL-2250-4	4-well slip for 22mmx50mm coverslip
WL-2440-4	4-well slip for 24mmx40mm coverslip
WL-2450-4	4-well slip for 24mmx50mm coverslip
WL-2260-5	5-well slip for 22mmx60mm coverslip
WL-2460-5	5-well slip for 24mmx60mm coverslip
WL-2250-8	8-well slip for 22mmx50mm coverslip
WL-2450-8	8-well slip for 24mmx50mm coverslip
WL-2260-10	10-well slip for 22mmx60mm coverslip
WL-2460-10	10-well slip for 24mmx60mm coverslip

Well Slide

Slide Glass Bottom Multi-Well Magnetic Chamber

- Best for immunohistochemistry staining
- Chamber slide is consumable and replaceable.
- Semi-permanent and re-useable
- Bottom slide glass is simply removable and replaceable for the next use.
- Auto cleavable
- Silicone gaskets to prevent leaking
- Metal bottom for stable temperature control during the live cell imaging
- Non-toxic and non-reactive polycarbonate material
- Patented magnetic system for easy assembly
- Temperature and CO₂ level are controllable with Chamlide TC and FC-5 for the live cell imaging.



Specifications

Well slide internal volume	12-well type	400 μ l / well
	6-well type	1 ml / well
	3-well type	2 ml / well
Material	Main body	Polycarbonate
	Bottom	Black anodized aluminum alloy
	Cover	Glass
	Gasket	Silicone

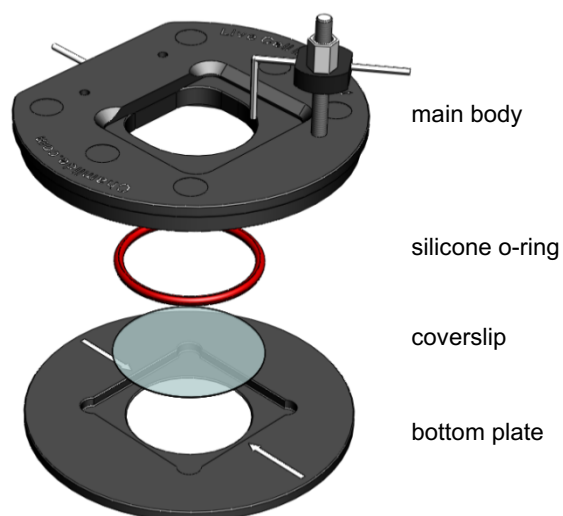
Model No.	Product
WS-S-03	3-well slide
WS-S-06	6-well slide
WS-S-12	12-well slide

Chamlide AC

Perfusion Type Water Volume Adjustable Magnetic Chamber



- Perfusion type opened chamber
- Eliminate the problem of swirling and to achieve the laminar flow during perfusion, Chamlide AC uses an oval shaped well in the chamber.
- Wide fluid inlet prevents the shear damage from cells during perfusion.
- The height of the outlet port (or suction port) are adjustable to control the media volume inside the chamber.
- The temperature of the chamber are controllable with a heating plate.
- The fluidic inline heater (IHS-101) for controlling medium temperature



Specifications

Internal volume of perfusion chamber for 18 ϕ coverslip

Maximum 0.6 ml

Internal volume of perfusion chamber for 25 ϕ coverslip

Maximum 1.5 ml

Material

Main body Black polycarbonate

Bottom plate Black anodized aluminum alloy

Inlet/outlet port tubing size

1.0 mm (O.D)

Chamber physical dimension

Main body 55mm ϕ x 5T

Bottom plate 55mm ϕ x 2T

Model No.

Product

AC-B15

Chamlide AC for 15mm round coverslip

AC-B18

Chamlide AC for 18mm round coverslip

AC-B20

Chamlide AC for 20mm round coverslip

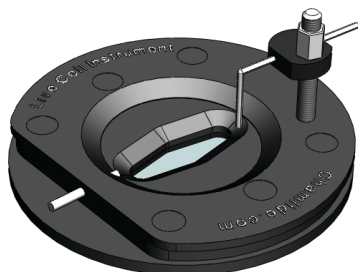
AC-B22

Chamlide AC for 22mm round coverslip

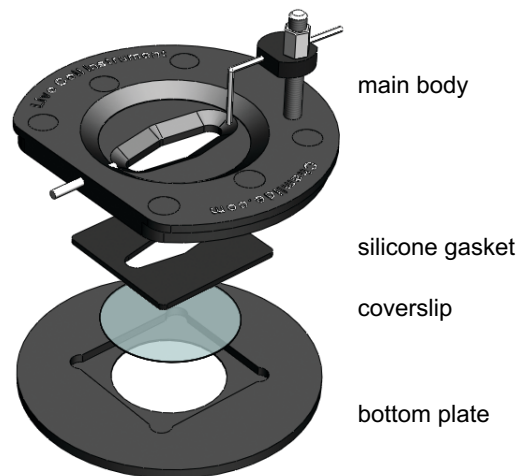
AC-B25

Chamlide AC for 25mm round coverslip

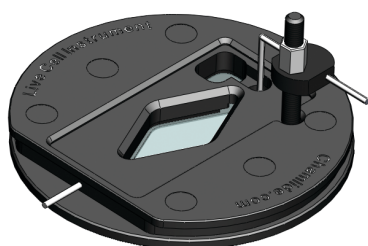
Chamlide AC-P (Chamlide AC for Patch Clamp)



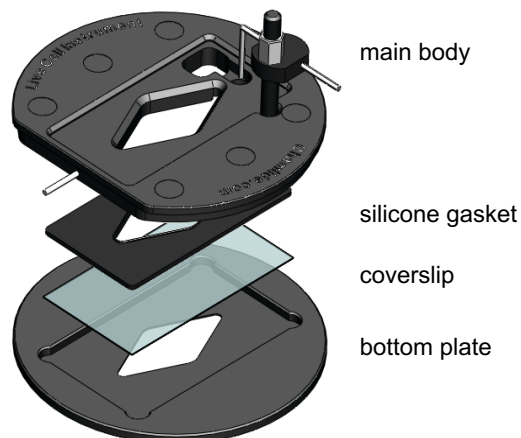
- For the patch clamp experiment
- The opening of the patch clamp Chamlide AC is wider than the standard type for easy access of external manipulators.
- For fast medium change, the opening is elliptical.



Chamlide AC-PS (Chamlide AC for Patch Clamp)



- Minimize water surface fluctuation during perfusion.
- Use 24(22)mm x 40mm rectangular coverslip.
- Other functions and shapes are same as Chamlide AC-P.



Specifications

Internal volume of AC-P(PS) for 18 ϕ coverslip

Maximum 0.6 ml

Internal volume of AC-P(PS) for 25 ϕ coverslip

Maximum 1.5 ml

Material

Main body Black polycarbonate
Bottom plate Black anodized aluminum alloy

Inlet/outlet port tubing size

1.0 mm (O.D)

Chamber physical dimension

Main body 55mm ϕ x 5mmT
Bottom plate 55mm ϕ x 2mmT

Model No.

Product

AC-P15	Chamlide AC-P for 15mm round coverslip
AC-P18	Chamlide AC-P for 18mm round coverslip
AC-P20	Chamlide AC-P for 20mm round coverslip
AC-P22	Chamlide AC-P for 22mm round coverslip
AC-P25	Chamlide AC-P for 25mm round coverslip

Model No.

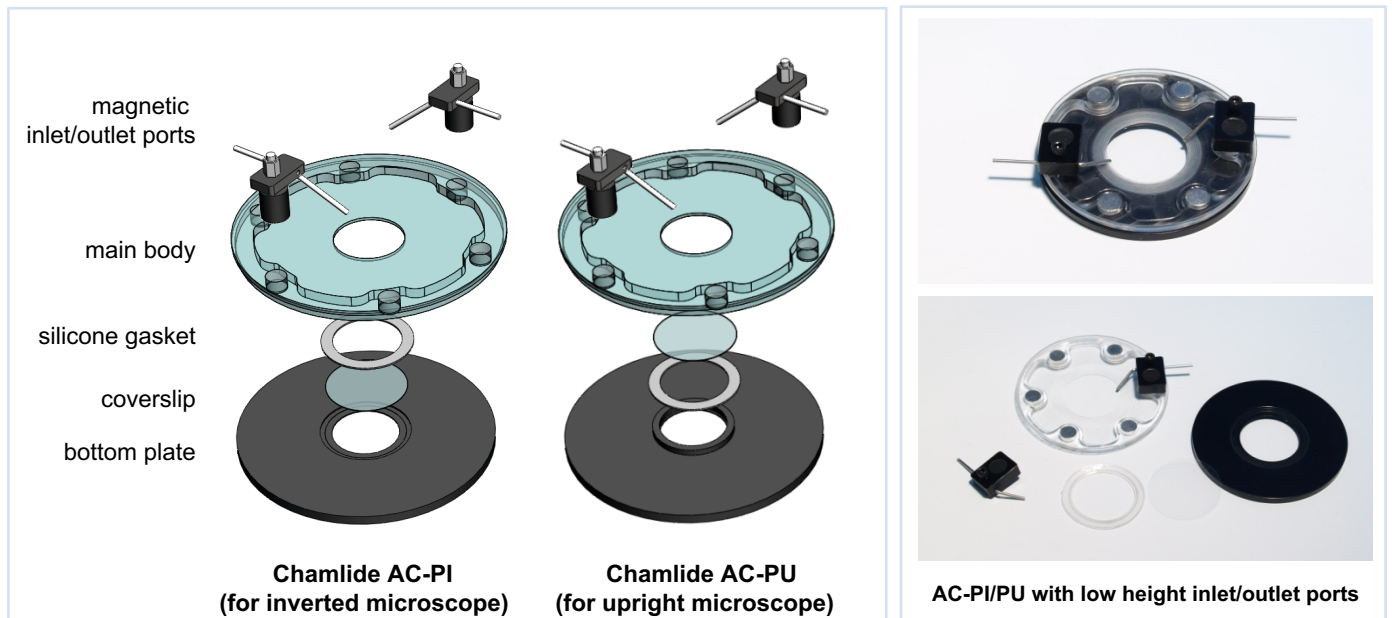
Product

AC-PS2240	Chamlide AC-PS for 22mm x 40 mm rectangular coverslip
AC-PS2440	Chamlide AC-PS for 24mm x 40 mm rectangular coverslip

Chamlide AC-PI/ Chamlide AC-PU (Wide Chamlide AC-P)



- For the patch clamp experiment
- AC-PI is the perfusion chamber for the inverted microscope
- AC-PU is for the upright microscope
- The opening of the Chamlide AC-PI/PU is wider than the Chamlide AC-P for easy access of external manipulators.
- For convenient approach of the external manipulator, perfusion inlet/outlet ports can be moved and attached with magnetic force.

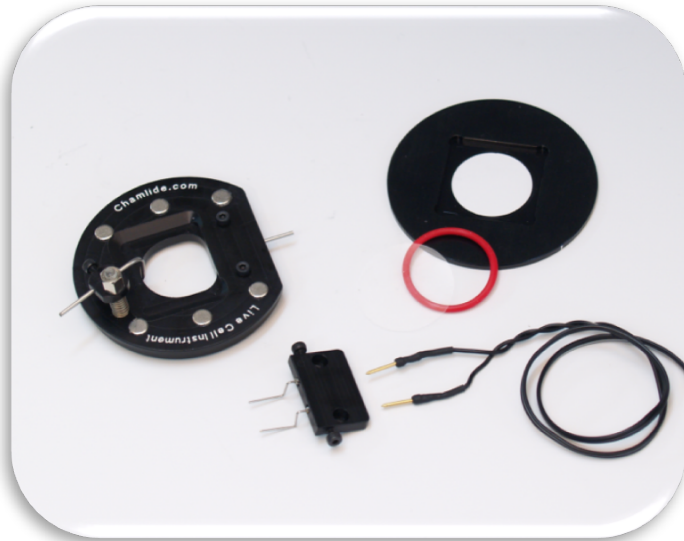


Model No.	Product
AC-PI15	Chamlide AC-PI for 15mm round coverslip
AC-PI18	Chamlide AC-PI for 18mm round coverslip
AC-PI20	Chamlide AC-PI for 20mm round coverslip
AC-PI22	Chamlide AC-PI for 22mm round coverslip
AC-PI25	Chamlide AC-PI for 25mm round coverslip

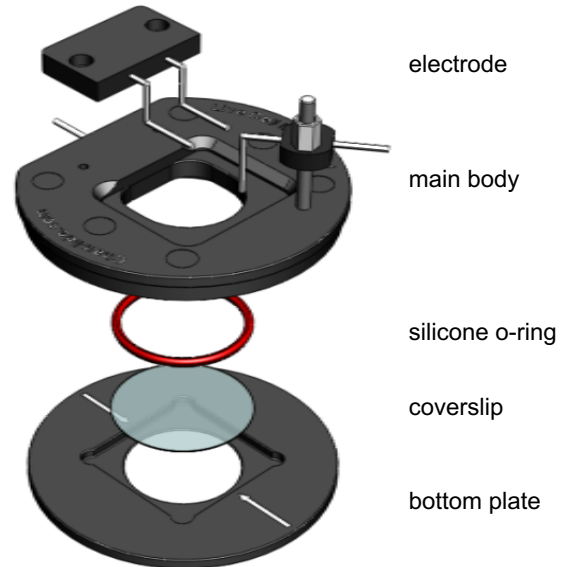
Model No.	Product
AC-PU15	Chamlide AC-PU for 15mm round coverslip
AC-PU18	Chamlide AC-PU for 18mm round coverslip
AC-PU20	Chamlide AC-PU for 20mm round coverslip
AC-PU22	Chamlide AC-PU for 22mm round coverslip
AC-PU25	Chamlide AC-PU for 25mm round coverslip

Chamlide EC

Perfusion Type Electric Stimulation Magnetic Chamber



- For applications requiring the field stimulation, Chamlide EC is supplied with a pair of platinum electrodes. The electrodes are installed along two parallel sides of the bath.
- Pin connector to supply the electric current from the stimulator is removed for diverse uses.
- Other features are the same as the Chamlide AC except the electrode part.
- Patented magnetic system for easy assembly
- IHS-101 (the fluidic inline heater) for controlling medium temperature.
- The temperature of the chamber is controllable with a heating plate.



Specifications

Internal volume of perfusion chamber for 18mm ϕ coverslip	Maximum 0.6ml
Internal volume of perfusion chamber for 25mm ϕ coverslip	Maximum 1.5ml
Pt electrode	0.5 mm (O.D) x 30
Inlet/outlet port tubing size	1.0 mm (O.D)
Chamber physical dimension	Main body 55mm ϕ x 5mmT Bottom plate 55mm ϕ x 2mmT

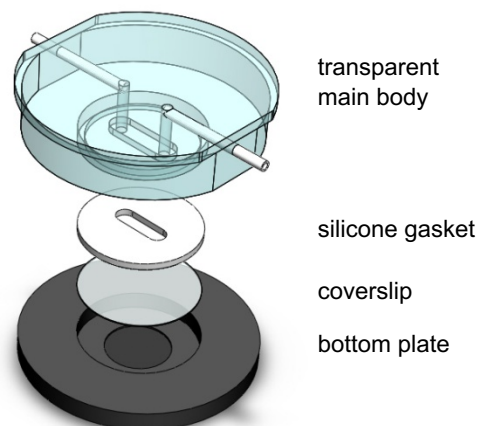
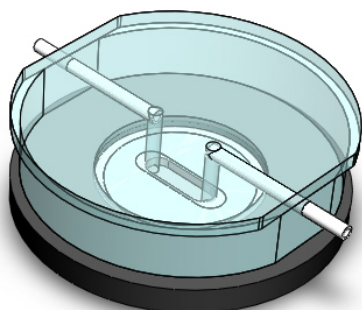
Model No.

Model No.	Product
EC-B15	Chamlide EC for 15mm round coverslip
EC-B18	Chamlide EC for 18mm round coverslip
EC-B20	Chamlide EC for 20mm round coverslip
EC-B22	Chamlide EC for 22mm round coverslip
EC-B25	Chamlide EC for 25mm round coverslip

Chamlide CF, Chamlide CF-EC

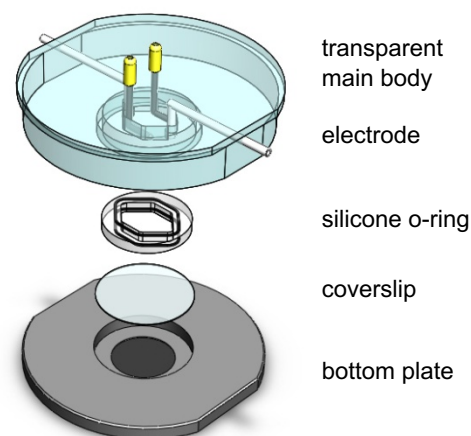
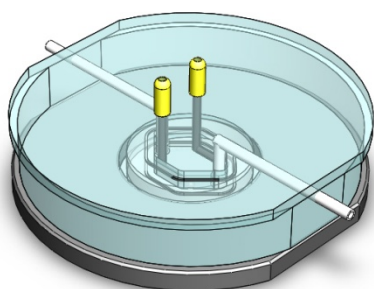
Perfusion Type Closed Magnetic Chamber/ Shear Stress Chamber

- Fast medium exchange
- The thickness of the silicone gasket is even.
- The internal volume depends on the height of the projecting part toward the bottom of the main body.
- If the height of the channel is **200 μ m**, it can be used for cell adhesion studies by **shear stress**.
- The shape of the inside gasket is customizable.



Chamlide CF-EC/ Electric Stimulation CF

- For applications requiring field stimulation, Chamlide CF-EC is supplied with a pair of platinum electrodes.
- The electrodes are installed along two parallel sides of the bath.



Specifications

Magnetic closed chamber internal volume

Depending on channel shape and size

Material

Main body	Invisible polycarbonate
Bottom	Black anodized aluminum alloy
Gasket	Silicone
Electrode	Platinum

Model No.

Product

CF-S15-A, B or C Chamlide CF for 15mm round coverslip
 CF-S18-A, B or C Chamlide CF for 18mm round coverslip
 CF-S20-A, B or C Chamlide CF for 20mm round coverslip
 CF-S22-A, B or C Chamlide CF for 22mm round coverslip
 CF-S25-A, B or C Chamlide CF for 25mm round coverslip

Model No.

Product

CF-EC-S15-A, B or C Chamlide CF-EC for 15mm round coverslip
 CF-EC-S18-A, B or C Chamlide CF-EC for 18mm round coverslip
 CF-EC-S20-A, B or C Chamlide CF-EC for 20mm round coverslip
 CF-EC-S22-A, B or C Chamlide CF-EC for 22mm round coverslip
 CF-EC-S25-A, B or C Chamlide CF-EC for 25mm round coverslip

◆ “A” has 0.2mm internal height, “B” has 0.5mm internal height, “C” has 1.0mm internal height

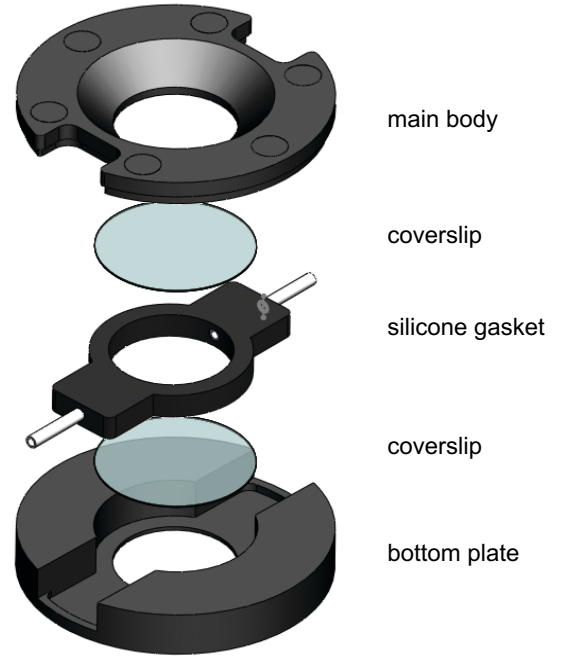
Chamlide CF-T

Chamlide CF with Two Coverslips



For perfect transmission imaging use:

- A coverslip is a lid.
- High quality transmission imaging (e.g. DIC)
- Closed type perfusion is available.
- Patented magnetic system for easy assembly
- Silicone gasket (2.5mm thickness is the standard).
- The size of chamber and the width of gasket are customizable.
- IHS-101 (the fluidic inline heater) for controlling the medium temperature
- The temperature of the chamber is controllable with a heating plate.
- Other functions and features are the same as the standard type Chamlide CF.
- Gasket shape is customizable.



Specifications

Magnetic closed chamber internal volume

Depending on the gasket shape

Material

Main body	Black anodized aluminum alloy
Bottom	Black anodized aluminum alloy
Gasket	Silicone

Model No.

CF-T12
CF-T15
CF-T18
CF-T20
CF-T22
CF-T25

Product

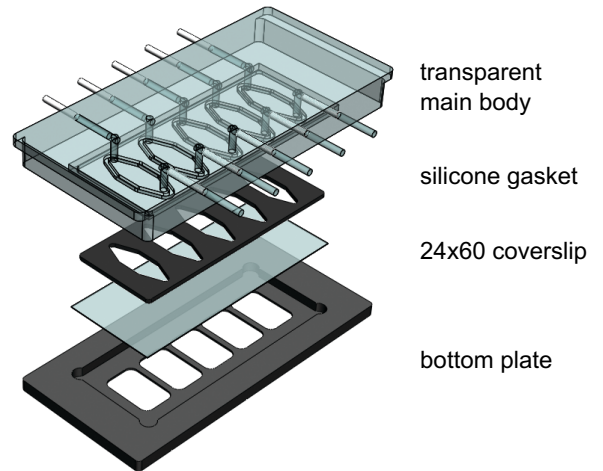
Chamlide CF-T for 12mm round coverslip
Chamlide CF-T for 15mm round coverslip
Chamlide CF-T for 18mm round coverslip
Chamlide CF-T for 20mm round coverslip
Chamlide CF-T for 22mm round coverslip
Chamlide CF-T for 25mm round coverslip

Chamlide PM, PM-T

Perfusion Type Multi-Well Closed Magnetic Chamber



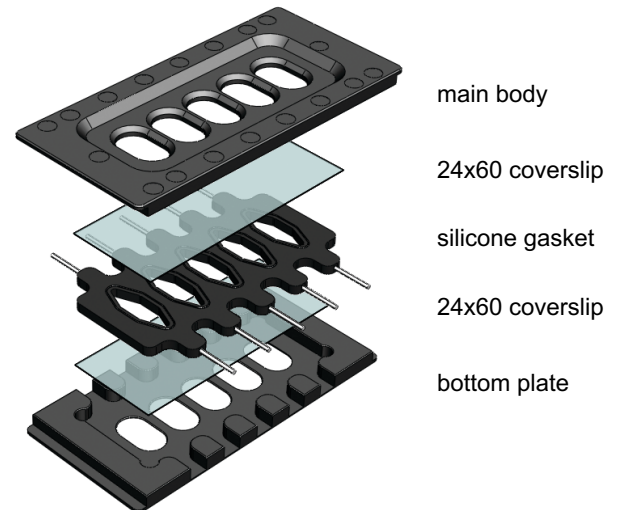
Chamlide PM



- Use a 24mm x 60mm coverslip as a bottom for high magnification microscopy.
- Closed perfusion type is available.
- 5-well type is standard but more or less wells are customizable.
- Individual multi-experiments on a coverslip by the media perfusion are available.
- Patented magnetic system for easy assembly.
- The temperature of the chamber is controllable with a heating plate.

For perfect transmission imaging use:

- A coverslip is a lid.
- High quality transmission imaging such as DIC
- Silicone gasket (2.5mm thickness is the standard)
- Other functions are same as Chamlide PM



Specifications

Magnetic closed chamber internal volume

Depends on the channel size and number

Material

Main body	transparent polycarbonate (PM) Anodized aluminum alloy (PM-T)
Bottom	Black anodized aluminum alloy
Gasket	Silicone

Model No.

PM-S-10

PM-T-10

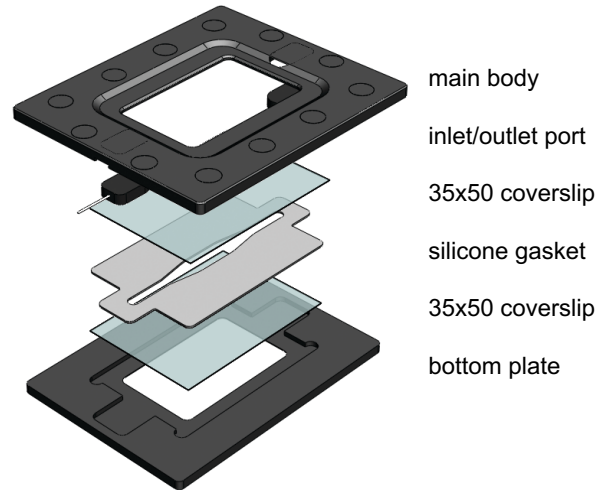
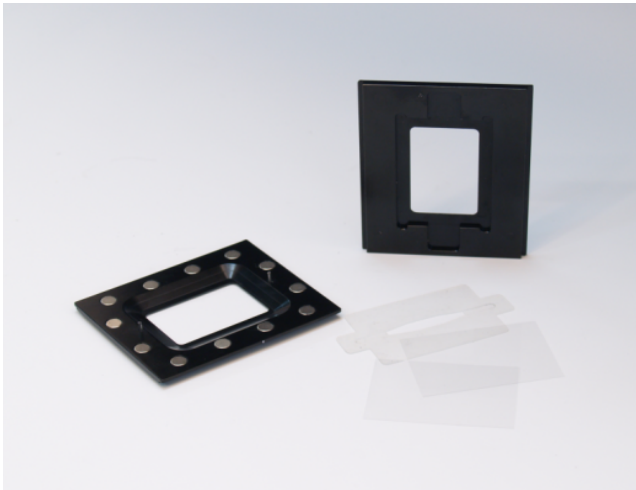
Product

Chamlide PM

Chamlide PM -T

Chamlide DF

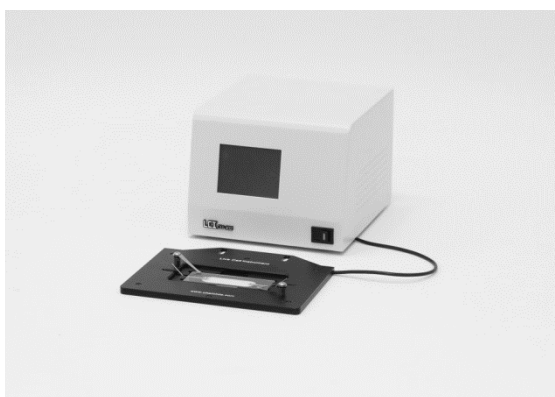
Dark Field Chamber



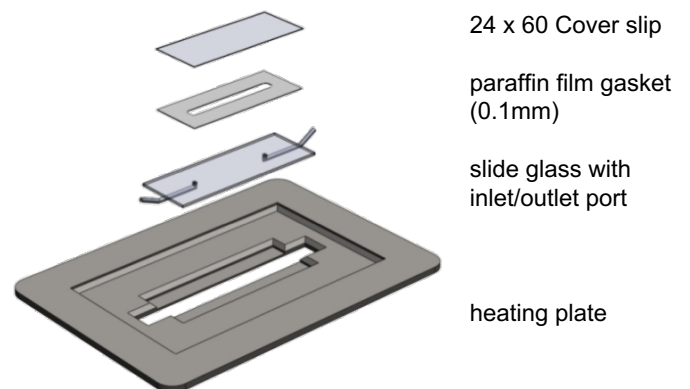
- Easy access of the condenser and the short working distance lens for the dark field microscope
- Two 35 x 50mm coverslip internal height is 0.5 mm.
- Patented magnetic system for easy assembly
- Fluid inlet/outlet to connect to a peristaltic pump or a syringe pump.
- Chamber temperature is controllable with a heating plate.
- Fluidic inline heater to control the medium temperature

Chamlide DF-T

0.1mm Internal Height Chamber



heating plate for DF-T



- Heating plate for Chamlide DF-T.
- Use 24mm x 50mm coverslip for the upper layer.
- Lower slide glass has inlet/outlet ports.
- Gasket is made by 0.1mm paraffin film and internal chamber height is 0.1mm.
- Heater (e.g. hair dryer) to attach or detach the gasket

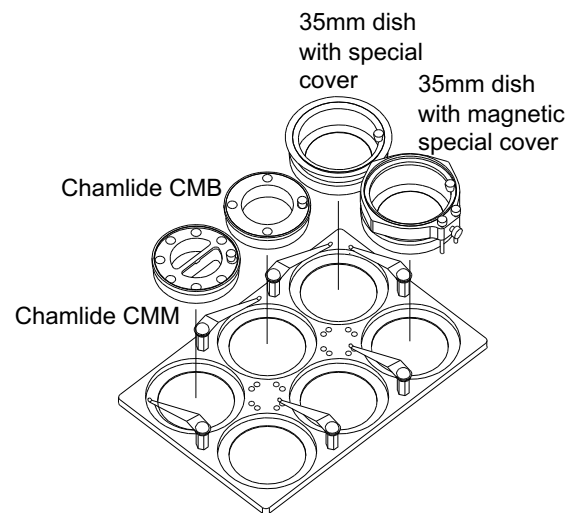
Model No.	Product
DF-S-10	Chamlide DF
DF-T-10	Chamlide DF-T

Chamlide MD

6-dish Holder for 35mm Dish Type Magnetic Chambers & Dishes



- The size of Chamlide MD is the same as a commercial well-plate.
- Loaded with consumable 35mm culture dishes or 35mm dish type magnetic chambers.
- Made to fit any type of commercial 35mm culture dish.
- Used with 35mm culture dish and the magnetic special cover to allow the removal of dishes and reloading without altering the position of the sample.



Specifications

Material

Body
Holder

Black anodized aluminum alloy
Stainless steel clip or magnet

Model No.

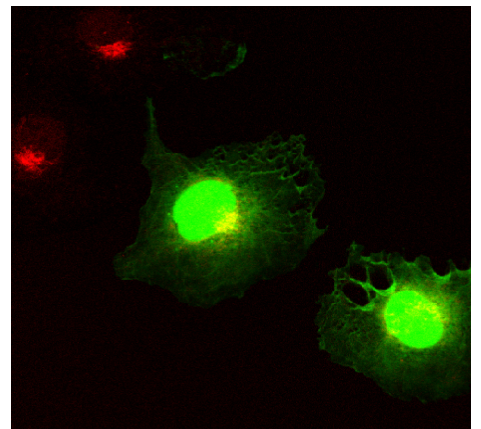
MD-S-10

MD-S-20

Product

Chamlide MD

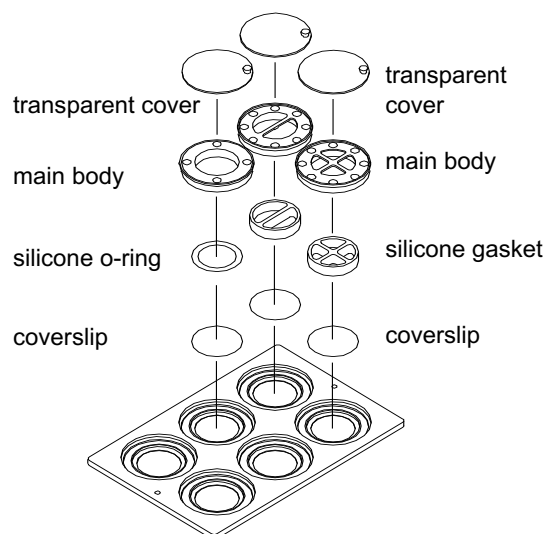
Chamlide MD for magnetic special cover



Chamlide MB

Multi-Hole Bottom Plate for 35mm Dish Type Magnetic Chambers

- Chamlide MB is for 35mm dish type magnetic chambers. (Chamlide CMB or Chamlide CMM)
- 6-hole Chamlide MB is the same size as a commercial plastic culture well plate.
- The hole size is the same as the bottom plate of the 35mm dish type Chamlide magnetic chamber for 12/15/18/20/22/25mm round coverslips.
- 6-hole Chamlide MB allows users to install a variety of Chamlide magnetic chambers in many different combinations.
 - Minimum 6 wells with 1 well Chamlide CMB to maximum 24 wells with 4-well Chamlide CMM when using with 6-hole Chamlide MB
 - Minimum 2 wells with 1 well Chamlide CMB to maximum 8 wells with 4-well Chamlide CMM when using with 2-hole Chamlide MB
- The incubator of the Chamlide TC (2-hole Chamlide MB) and Chamlide WP for 6-well plate (6-hole Chamlide MB).



Specifications

Material

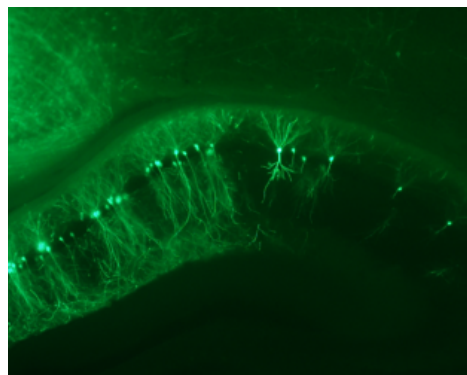
Black anodized aluminum alloy

Model No.

MB-R12-2
MB-R15-2
MB-R18-2
MB-R20-2
MB-R22-2
MB-R25-2
MB-R12-6
MB-R15-6
MB-R18-6
MB-R20-6
MB-R22-6
MB-R25-6

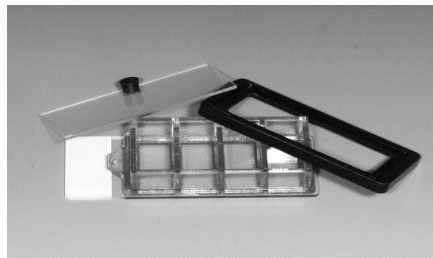
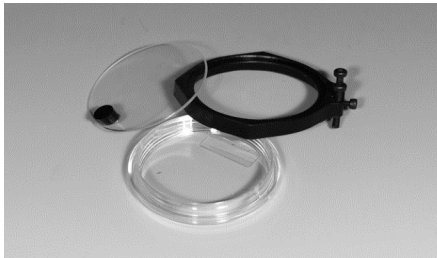
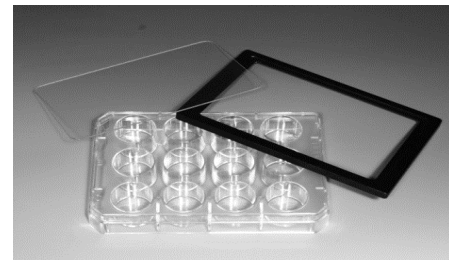
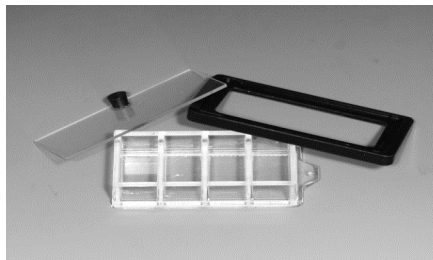
Product

2-hole Chamlide MB for 12mm round coverslip
2-hole Chamlide MB for 15mm round coverslip
2-hole Chamlide MB for 18mm round coverslip
2-hole Chamlide MB for 20mm round coverslip
2-hole Chamlide MB for 22mm round coverslip
2-hole Chamlide MB for 25mm round coverslip
6-hole Chamlide MB for 12mm round coverslip
6-hole Chamlide MB for 15mm round coverslip
6-hole Chamlide MB for 18mm round coverslip
6-hole Chamlide MB for 20mm round coverslip
6-hole Chamlide MB for 22mm round coverslip
6-hole Chamlide MB for 25mm round coverslip

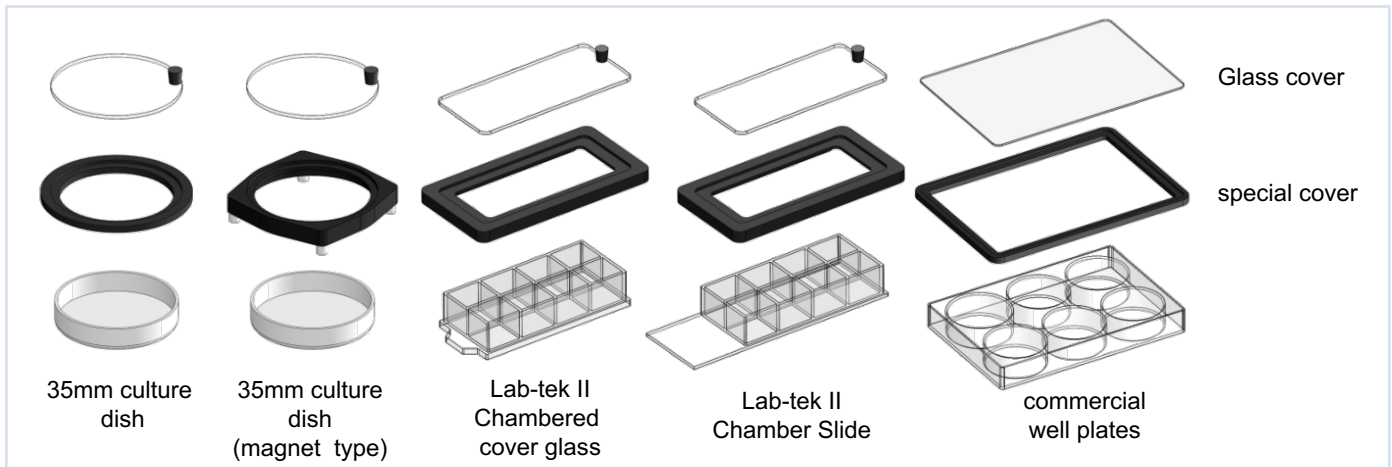


Special Glass Cover

Special Glass Cover for Various Commercial Culture Wares



- Various types of special covers for consumable culture ware instead of lids
- Special covers for maintaining humidity in the culture ware and for transmission during live cell imaging



Specifications

Material	Special cover body Cover	Black anodized aluminum alloy Glass
----------	-----------------------------	--

Model No.

Product

SG-C-10	Special glass cover for 35mm culture dish
SG-C-20	Magnetic special glass cover for 35mm culture dish
SG-C-30	Special glass cover for consumable chamber slide or chambered cover glass
SG-C-40	Special glass cover for commercial well plate